

Shaft copying systems

Sensor – Ants Safe	LES03	Safe position and speed detection
---------------------------	--------------	--



The sensor Ants LES03 is an extremely robust, compact and non-contact measuring system. With a resolution of 0.5 mm and a travel speed of up to 8 m/s, both absolute position values and the speed of the elevator car are determined slip-free via a non-contact measuring principle.

In combination with the Safe Gear Trigger SGT02, mechanical overspeed governors can be replaced as the **Kübler Safe-System LES03/SGT02**.

In the **Kübler Safe-System LES03/SGT02/PSU02**, a large number of additional safety functions are realized by the evaluation unit PSU02.



Features and benefits

- Safe position and speed detection**
 The SIL3-certified measuring system consisting of sensor and code band provides speed information in addition to the absolute position values.
- 100 % slip-free**
 Mounting on, next to or underneath the lift car always provides direct position feedback without the effect of possible slippage of the suspension means.
- Maximum compactness**
 With its compactness, the sensor is not only easy to install, but can also be integrated into the tightest installation spaces. Even in glass lifts, it blends in very well with the overall appearance of the lift system.
- Teaching the rated speed**
 By means of configuration strips, the sensor can be easily taught to the respective rated speed of the elevator system.
- Electronic overspeed governor**
 In combination with the SGT02 as a safe system, the traditional mechanical overspeed governor can be replaced.

Required components for the use of the LES03 sensor



Shaft copying systems

Sensor – Ants Safe LES03 Safe position and speed detection

Order code Sensor **8.LES03.X11X.1111.0000**

Type: 8.LES03, X, 1, 1, X, 1, 1, 1, 1, 0000

a Type of mounting
 1 = with mounting plate
 2 = without mounting plate (T-slot mounting)

b Interface / supply voltage
 1 = CAN / 10 ... 30 V

c Type of connection
 1 = cable, 3 m [9.84'], open cable end
 A = cable, special lengths, shielded, open cable end *)

d Interface profile
 11 = CAN (1-channel), proprietary

e Rated speed of the elevator system
 1 = not preset
 The rated speed must be taught in once with the „Configuration strip“.
 The speed for the installation mode is preset with 0.3 m/s.

*) Special lengths on request: 5 m, 7 m, 10 m
 order code expansion .XXXX = length in dm
 ex.: 8.LES03.111A.1111.0000.0050 (for cable length 5 m)

Order code Configuration strip **8.CS.1111.XXXX**

Type: 8.CS, 1111, XXXX

a Rated speed
 XXXX = cm/s
 Ex.: 8.CS.1111.0160 (for 1.6 m/s)

Order code Coded band, absolute **8.LEX.BA.XXXX**

Type: 8.LEX.BA, XXXX

a Measuring lengths XXXX = lengths in meters (max. length = 392 m)	<i>Standard lengths</i>			<i>Stock types</i>	
	0010 = 10 m	0040 = 40 m	0090 = 90 m	0010 = 10 m	0030 = 30 m
	0015 = 15 m	0050 = 50 m	0100 = 100 m	0015 = 15 m	0040 = 40 m
	0020 = 20 m	0060 = 60 m	0392 = 392 m	0020 = 20 m	0392 = 392 m
	0025 = 25 m	0070 = 70 m	Intermediate lengths < 100 m as from 5 pieces, > 100 m on request	0025 = 25 m	
	0030 = 30 m	0080 = 80 m			

Mounting kit LES.MK **8.LES.MK.0001**

Mounting kit for sensor Ants LES03

Accessories **EMC - Shield terminal** For an EMC-compliant installation of the cable **8.0000.4G06.0312**

Order no. 8.0000.4G06.0312

Shaft copying systems

Sensor – Ants Safe	LES03	Safe position and speed detection
---------------------------	--------------	--

Technical data

Mechanical characteristics	
Code	absolute, 16 bit
Max. measuring length	392 m
Speed	certified 8 m/s ¹⁾
Resolution	certified 1 mm functional 0.5 mm
Accuracy	±1 mm
Type of connection	cable 3 m with open end further lengths up to max. 10 m on request
Weight	550 g [19.4 oz]
Housing (material)	aluminum
Dimensions	L x W x H 126 x 55 x 37 mm [4.96 x 2.17 x 1.46"]

Electrical characteristics	
Supply voltage	10 ... 30 V DC
Reverse polarity protection	yes
Power consumption	max. 100 mA
Interfaces	CAN proprietary

Environmental conditions	
Protection acc. to EN 60529	IP54
Humidity	< 90 % (non condensing)
Working temperature	-10 °C ... +70 °C [+14 °F ... +158 °F]
Storage temperature	-15 °C ... +80 °C [+5 °F ... +176 °F]
Air pressure (operating altitude)	800 ... 1013 hPA (up to 2000 m above NN)

Safety characteristics	
Classification	SIL3
PFH_d value	< 10 ⁻⁸ h ⁻¹
Mission time / Proof test interval	20 years

Technical data coded band LEX.BA	
Material	V2A spring-loaded stainless steel, chamfered edges
Dimensions	16 x 0.4 mm [0.63 x 0.016"]
Max. length	392 m
Weight	50 g / m [1.76 oz/m]
Thermal expansion	16 x 10 ⁻⁶ / K between 20 °C ... 100 °C

Standards / Directives / Certificates		
Standards	standards for elevators	EN 81-20/21/50
	EMC emission	EN 12015
	EMC immunity	EN 12016
	vibration resistance	EN 60068-2-6 / EN 81-50, 5.6.3.1
	shock resistance	EN 60068-2-27 / EN 81-50, 5.6.3.1
	environmental conditions	EN 60068-2-14 / EN 81-50, 5.6.3.2
UL compliant in accordance with		File no. E498900
CE compliant in accordance with		
	EMC Directive	2014/30/EU
	RoHS Directive	2011/65/EU
	Elevator Directive	2014/33/EU
UKCA compliant in accordance with		
	EMC Regulations	S.I. 2016/1091
	RoHS Regulations	S.I. 2012/3032
	Lifts Regulations	S.I. 2016/1093

Terminal assignment Ants LES03

Interface	Type of connection	Cable				
1 CAN	1, A	Signal:	+V	0 V / GND	CAN_H	CAN_L
		Core color:	BN	WH	GN	YE

- +V: Supply voltage +V DC
- 0 V: Supply voltage ground GND (0 V)

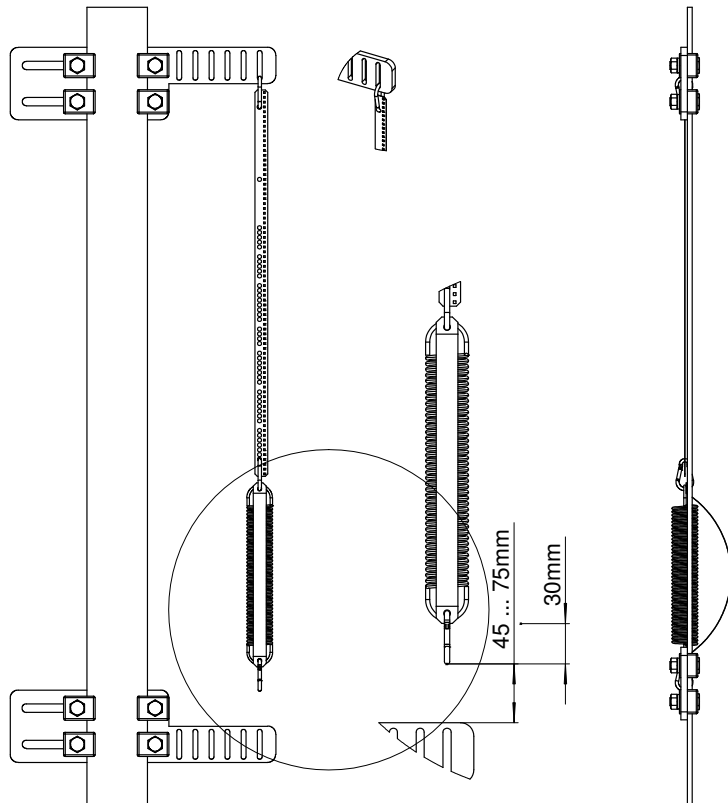
1) Reference is the nominal speed of the elevator facility.
2) The sensor switches to error mode for speeds > 12 m/s.

Shaft copying systems

Sensor – Ants Safe	LES03	Safe position and speed detection
---------------------------	--------------	--

Technology in detail

Coded band fastening with Mounting Kit LES.MK



Teach-in of the rated speed via configuration strips

The configuration strip for the respective rated speed is inserted into the LES03 sensor during commissioning. An LED visualizes the respective taught-in rated speed with a flashing pattern. In this way, the certifying agency can also validate the configuration at any time.



Corresponding configuration strips are available for different rated speeds.



Fastening eyelet

Rated speed

Guide bar



Can be assembled into sets by means of fastening eyelet



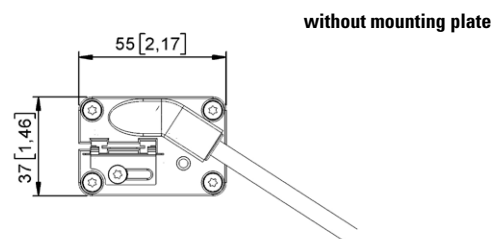
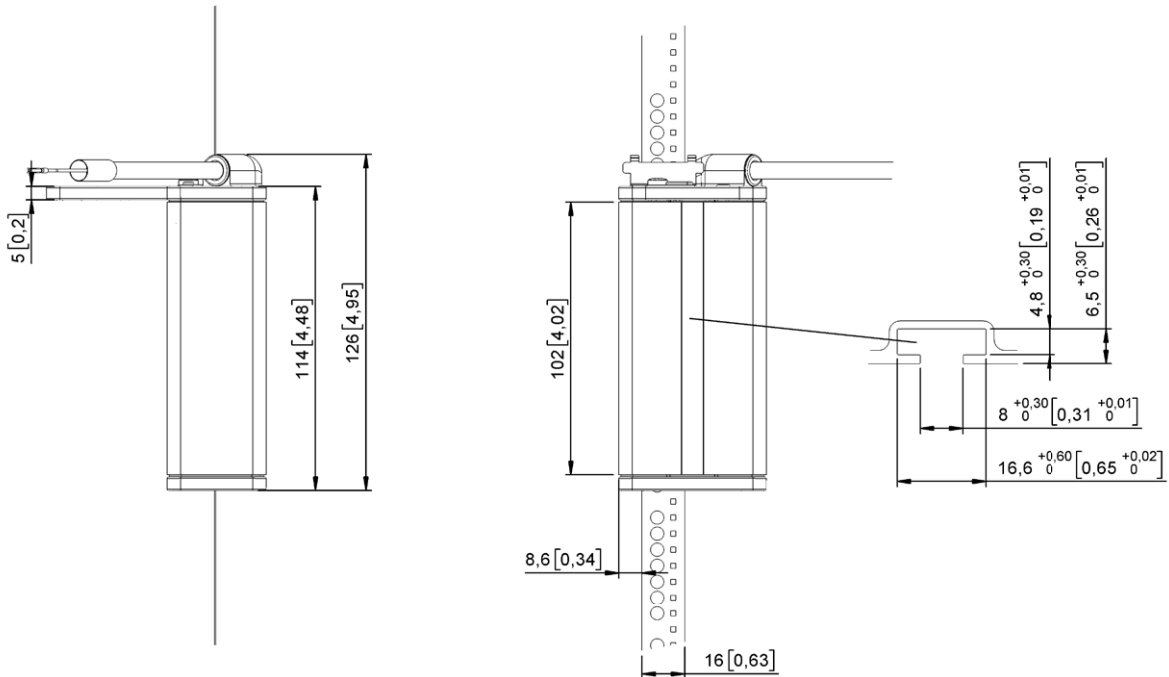
Shaft copying systems

Sensor – Ants Safe **LES03** **Safe position and speed detection**

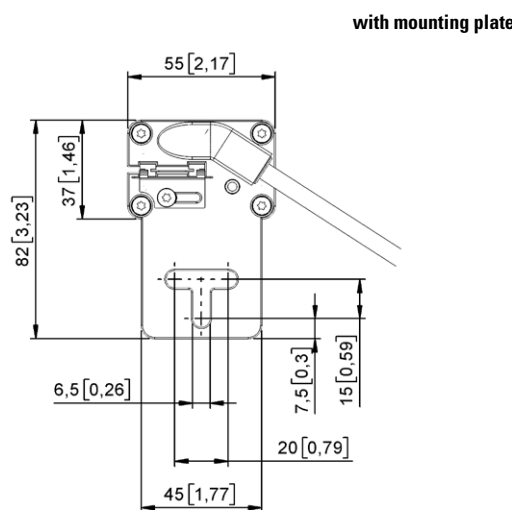
Dimensions

Dimensions in mm [inch]

Sensor



without mounting plate



with mounting plate