

Push-in fittings NPQP



# Push-in fittings NPQP

Features



## Application



Effortless selection of the right fitting. Festo offers a secure solution for every connection. The convenient push-in fitting system includes well over 1000 types of standard and function fittings.

Summary of tubing/fitting combinations			
Applications	Fitting	Tubing	Description
Standard	QS	PEN	Suitable for a wide range of tasks and attractively priced. Flexible thanks to high levels of resistance, easy to install thanks to optimised bending radii. High level of abrasion resistance in dynamic applications.
	QS	PUN	Maximum flexibility in standard applications thanks to an extremely wide range of options for combining the different types.
	QS	PAN	Meets all requirements, even for standard applications with increased pressure and temperature ranges.
High pressures	NPQM	PAN-MF	Meets DIN standard 73378: ideal for use in mobile pneumatics. Suitable for increased temperature ranges combined with high pressure ranges.
	NPQH	PAN-R	Powerful in pressure ranges up to 20 bar, for example in applications with the pressure booster DPA.
Resistant to chemicals, food safe and hydrolysis resistant	NPQP	PLN	Resistant to cleaning agents, FDA compliant and economical. Can be used instead of the combination with stainless steel fittings.
	NPKA	PUN-H	Hydrolysis resistant and suitable for water applications. Combination suitable for use in clean rooms, FDA compliant and corrosion resistant as it is made of 100% polymer. Very easy to install thanks to the "one click principle".
	NPQH	PFAN/PTFEN	For high temperatures up to 150 °C. Food safe, FDA compliant and resistant to cleaning agents.
	NPCK	PFAN/PTFEN	Easy to clean thanks to the union nut's edge-free design. Maximum resistance to corrosion (CRC 4) and FDA compliant. Suitable for a wide range of media.
	CRQS	PFAN/PTFEN	Maximum resistance to corrosion (CRC 4) and to aggressive acids and alkalis.
Resistant to chemicals and hydrolysis resistant	NPQR	PFAN/PTFEN	Optimised design, reduction in edges where dirt can collect – all at an attractive price. For high temperatures up to 150 °C. Pressure range up to 16 bar. Highest level of corrosion resistance (CRC 4).
Antistatic	NPQM	PUN-CM	Antistatic tubing plus solid metal fitting: maximum protection for electric and electronic components.
Flame retardant	NPQM	PUN-V0	Very safe in areas where there is a risk of fire thanks to flame-retardant properties. The tubing has been tested to DIN 5510-2.
Resistant to welding spatter	NPQH	PUN-V0-C	Ideal for applications involving welding spatter. Reliable thanks to a tubing wall thickness of 2 mm for all diameters.
	QS-V0	PAN-V0	Safe even in the close vicinity of welding spatter thanks to the double-walled tubing with special fitting.

# Push-in fittings NPQP

Features

FESTO

## Push-in fittings product range

QSM, mini series



Technical data → Internet: qsm

Miniature push-in fittings for maximum component density in confined spaces. For pneumatic applications with a temperature range up to 80 °C and a pressure range up to 14 bar. Tubing outside diameters of 2, 3, 4 and 6 mm with connecting threads M3, M5, M6, M7, R $\frac{1}{8}$  and G $\frac{1}{8}$ .

QS, standard series



Technical data → Internet: qs

Wide selection of push-in fittings for pneumatic applications with a temperature range up to 80 °C and a pressure range up to 14 bar. Tubing outside diameters of 4, 6, 8, 10, 12, 16 and 22 mm with connecting threads R $\frac{1}{8}$  ... R $\frac{1}{2}$  and G $\frac{1}{8}$  ... G $\frac{3}{4}$ .

CRQS, stainless steel



Technical data → Internet: crqs

Stainless steel push-in fitting. High corrosion resistance CRC 4 and chemical resistance with approval for use in the food and packaging industry. For pneumatic applications with a temperature range up to 120 °C and a pressure range up to 10 bar. Tubing outside diameters of 4, 6, 8, 10, 12 and 16 mm with connecting threads M5 and R $\frac{1}{8}$  ... R $\frac{1}{2}$ .

QS-V0, resistant to welding spatter



Technical data → Internet: qs-v0

Flame-retardant push-in fitting for use in all areas where there is a risk of fire, for example welding systems in the automotive industry and in the construction industry. For pneumatic applications with a temperature range up to 60 °C and a pressure range up to 10 bar. Tubing outside diameters of 4, 6, 8, 10 and 12 mm with connecting threads R $\frac{1}{8}$  ... R $\frac{1}{2}$  and G $\frac{1}{8}$  ... G $\frac{1}{2}$ .

NPQH



Technical data → Internet: npqh

Solid metal push-in fitting made of chemically nickel-plated brass. High corrosion resistance CRC 3 and chemical resistance. For pneumatic applications with a temperature range up to 150 °C and a pressure range up to 20 bar. Tubing outside diameters of 4, 6, 8, 10, 12 and 14 mm with connecting threads M5, M7 and G $\frac{1}{8}$  ... G $\frac{1}{2}$ .

NPQM



Technical data → Internet: npqm

Attractively priced metal push-in fitting for pneumatic applications with a temperature range up to 70 °C and a pressure range up to 16 bar. Tubing outside diameters of 3, 4, 6, 8, 10, 12 and 14 mm with connecting threads M5, M7 and G $\frac{1}{8}$  ... G $\frac{1}{2}$ .

NPQP



Technical data → Internet: npqp

Polypropylene fitting for use in applications with extreme influence of media. For pneumatic applications with a temperature range up to 60 °C and a pressure range up to 10 bar. Tubing outside diameters of 4, 6, 8, 10 and 12 mm with connecting threads R $\frac{1}{8}$  ... R $\frac{1}{2}$ .

NPQR, stainless steel



Technical data → Internet: npqr

Stainless steel push-in fitting. Maximum corrosion resistance CRC 4 and chemical resistance. For pneumatic applications with a temperature range up to 150 °C and a pressure range up to 16 bar. Tubing outside diameters of 4, 6, 8, 10 and 12 mm with connecting threads M5, M7 and G $\frac{1}{8}$  ... G $\frac{1}{2}$ .

# Push-in fittings NPQP

Features

FESTO

## Functional push-in fittings product range

QSK, self-sealing push-in fitting

Technical data → Internet: qsk



Push-in fitting that blocks the air flow after the tubing is disconnected. For pneumatic applications with a temperature range up to 60 °C and a pressure range up to 14 bar. Tubing O.D.∅ of 4, 6, 8, 10 and 12 mm with connecting threads M5, R1/8 ... R1/2 and G1/8 ... G1/2.

QSR, rotary push-in fitting

Technical data → Internet: qsr



Push-in fitting with swivel connection, rotatable by 360°. The ball bearing enables rotating movements in the application up to max. 500 rpm. For pneumatic applications with a temperature range up to 60 °C and a pressure range up to 14 bar. Tubing O.D.∅ of 4, 6, 8, 10 and 12 mm with connecting threads M5, R1/8 ... R1/2 and G1/8 ... G1/2.

## Quick connectors product range

NPCK

Technical data → Internet: npck



Stainless steel fitting for use in areas subject to intensive cleaning. Highest level of corrosion resistance (CRC 4). For pneumatic applications with a temperature range up to 120 °C and a pressure range up to 12 bar. Tubing O.D.∅ of 4, 6, 8 and 10 mm with connecting thread M5 and G1/8 ... G3/8.

## Click fittings product range

NPKA

Technical data → Internet: npka



Plastic fitting for easy installation with one-hand operation. Hydrolysis resistant, FDA compliant and easy to clean. For pneumatic applications with a temperature range up to 60 °C and a pressure range up to 10 bar. Tubing O.D. 6 mm with connecting thread G1/8.

# Push-in fittings NPQP

Technical data

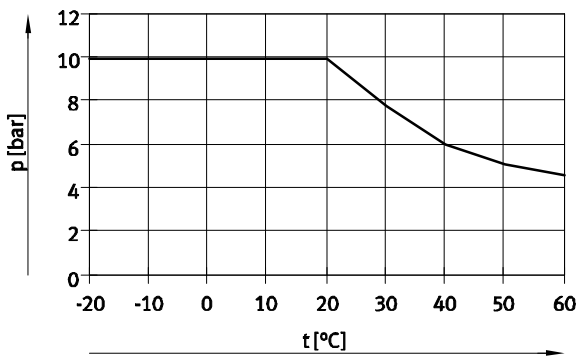
General technical data	
Size	Standard
Design	Push-pull principle


Operating and environmental conditions	
Temperature-dependent operating pressure [bar]	-0.95 ... +10
Operating medium	Compressed air in accordance with ISO 8573-1:2010 [7:--:-]
Note on operating/pilot medium	Lubricated operation possible
Ambient temperature [°C]	-20 ... +60 Extended temperature range on request
Corrosion resistance class CRC <sup>1)</sup>	4
Food-safe <sup>2)</sup>	See supplementary material information

- 1) CRC4: Corrosion resistance class to Festo standard 940 070  
Components with very heavy corrosion exposure. Components in contact with aggressive media, e.g. in food or chemical industries. These applications must, if necessary, be verified by special tests with the media concerned.
- 2) Additional information [www.festo.com/sp](http://www.festo.com/sp) → Certificates.

Materials		
Type	NPQP	NPQP-H
Housing	PP	
Tube retaining claw	High-alloy stainless steel	
Nut	-	High-alloy stainless steel
Note on materials	RoHS-compliant Contains PWIS (paint-wetting impairment substances)	

## Operating pressure p as a function of temperature t



 Note

Leaks can occur with large temperature fluctuations due to the high expansion coefficient of polypropylene in combination with the R thread.






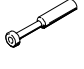

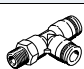

To avoid this it is recommended to seal the thread with Loctite® 55 pipe sealing cord.

Loctite® is a registered trademark of the respective trademark owners in certain countries.

# Push-in fittings NPQP







Product range overview

FESTO

Design	Version	Type	Connection D1			Connection D2		→ Page/ Internet
			R thread	Tubing O.D.	Push-in sleeve ∅	Tubing O.D.	Push-in sleeve ∅	
Inline	<b>Push-in fitting – Male thread with external hex</b>							
		NPQP-D	R1/8	-	-	4, 6, 8	-	8
			R1/4			4, 6, 8, 10		
			R3/8			10, 12		
			R1/2			12		
	<b>Push-in connector</b>							
		NPQP-D	-	-	-	4	-	9
			6					
			8					
			10					
			12					
		NPQP-D reducing	-	-	-	4	-	9
			6					
			8					
10								
12								
<b>Push-in bulkhead connector</b>								
	NPQP-H	-	-	-	4	-	10	
		6						
		8						
		10						
		12						
<b>Push-in connector with push-in sleeve</b>								
	NPQP-D-...-S	-	-	-	-	-	6, 8	
		8, 10						
		10, 12						
		12						
<b>Blanking plug</b>								
	NPQP-P	-	-	-	4	-	11	
		6						
		8						
		10						
		12						
L-shape	<b>Push-in L-fitting – Male thread with external hex</b>							
		NPQP-L	R1/8	-	-	4, 6, 8	-	12
			R1/4			4, 6, 8, 10		
			R3/8			10, 12		
			R1/2			12		
	<b>Push-in L-fitting – Male thread with external hex</b>							
		NPQP-LQ	R1/8	-	-	4, 6, 8	-	12
			R1/4			4, 6, 8, 10		
			R3/8			10, 12		
			R1/2			12		
	<b>Push-in L-connector</b>							
		NPQP-L	-	-	-	4	-	13
			6					
			8					
10								
12								

# Push-in fittings NPQP

Product range overview

Design	Version	Type	Connection D1			Connection D2		→ Page/ Internet
			R thread	Tubing O.D.	Push-in sleeve ∅	Tubing O.D.	Push-in sleeve ∅	
T-shape	<b>Push-in T-fitting – Male thread with external hex</b>							
		NPQP-T	R1/8	-	-	4, 6, 8	-	14
			R1/4			4, 6, 8, 10		
			R3/8			10, 12		
			R1/2			12		
	<b>Push-in T-connector</b>							
		NPQP-T	-	-	-	4	-	15
			4			6		
			6			8		
			8			10		
10			12					
	NPQP-T reducing	-	-	-	4	-	15	
		6			6			
		8			8			
		10			10			
		12			12			
Y-shape	<b>Push-in Y-fitting – Male thread with external hex</b>							
		NPQP-Y	R1/8	-	-	4, 6, 8	-	16
			R1/4			4, 6, 8, 10		
			R3/8			10, 12		
			R1/2			12		
	<b>Push-in Y-connector</b>							
		NPQP-Y	-	-	-	4	-	17
			4			6		
			6			8		
			8			10		
10			12					
	NPQP-Y reducing	-	-	-	4	-	17	
		6			6			
		8			8			
		10			10			
		12			12			

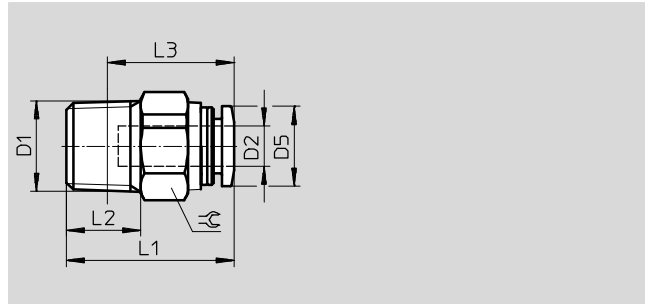
# Push-in fittings NPQP

Technical data



## Push-in fitting NPQP-D

Male thread  
with external hex



Dimensions and ordering data											
Connection	Nominal size [mm]	Tubing O.D. D2	D5	L1	L2	L3	⌀	Weight/piece [g]	Part No.	Type	PU <sup>1)</sup>
R <sup>1</sup> / <sub>8</sub>	2.1	4	9.9	21.1	8	17.1	12	2.5	133041	NPQP-D-R18-Q4-FD-P10	10
	3.4	6	11.8	22.8	8	18.8	14	3.0	133043	NPQP-D-R18-Q6-FD-P10	10
	5.3	8	13.8	27.9	8	23.9	17	4.5	133045	NPQP-D-R18-Q8-FD-P10	10
R <sup>1</sup> / <sub>4</sub>	2.1	4	9.9	22.3	11	16.3	14	3.5	133042	NPQP-D-R14-Q4-FD-P10	10
	3.4	6	11.8	24.8	11	18.8	14	3.5	133044	NPQP-D-R14-Q6-FD-P10	10
	5.3	8	13.8	26.6	11	20.6	17	4.5	133046	NPQP-D-R14-Q8-FD-P10	10
	6.2	10	16.8	32.6	11	26.6	19	7.0	133047	NPQP-D-R14-Q10-FD-P10	10
R <sup>3</sup> / <sub>8</sub>	6.2	10	16.8	33.6	12	27.3	19	8.0	133048	NPQP-D-R38-Q10-FD-P10	10
	7.2	12	19.8	37.6	12	31.3	22	12.0	133049	NPQP-D-R38-Q12-FD-P10	10
R <sup>1</sup> / <sub>2</sub>	7.2	12	19.8	34.1	15	25.9	22	12.0	133050	NPQP-D-R12-Q12-FD	1

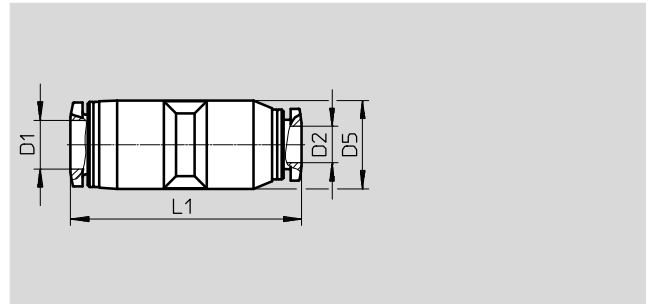
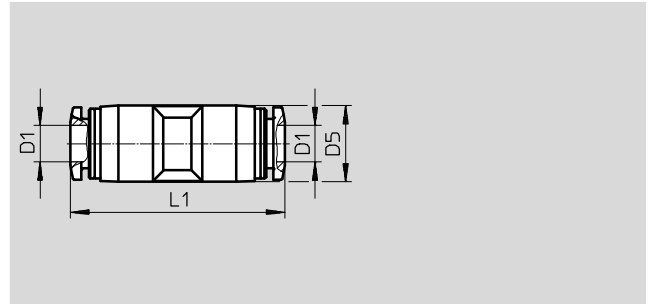
1) Packaging unit



# Push-in fittings NPQP

Technical data

## Push-in connector NPQD-D



Reducing

Dimensions and ordering data								
Tubing O.D. D1	Nominal size [mm]	Tubing O.D. D2	D5 Ø	L1	Weight/piece [g]	Part No.	Type	PU <sup>1)</sup>
4	2.6	–	10.0	31.0	4.0	133091	NPQP-D-Q4-E-FD-P10	10
6	4.0	–	12.5	35.2	5.5	133092	NPQP-D-Q6-E-FD-P10	10
8	5.0	–	14.5	37.8	8.0	133093	NPQP-D-Q8-E-FD-P10	10
10	6.7	–	17.5	41.8	13.0	133094	NPQP-D-Q10-E-FD-P10	10
12	8.7	–	21.0	48.2	19.0	133095	NPQP-D-Q12-E-FD-P10	10
Reducing								
6	2.6	4	12.5	34.6	5.5	133096	NPQP-D-Q6-Q4-FD-P10	10
8	4.0	6	14.5	38.0	7.0	133097	NPQP-D-Q8-Q6-FD-P10	10
10	5.0	8	17.5	41.3	12.0	133098	NPQP-D-Q10-Q8-FD-P10	10
12	6.7	10	21.0	48.0	18.0	133099	NPQP-D-Q12-Q10-FD-P10	10

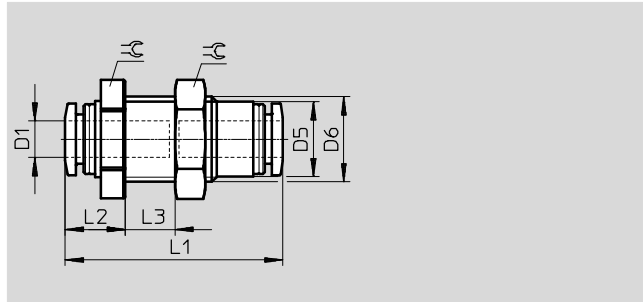
1) Packaging unit

# Push-in fittings NPQP

Technical data



## Push-in bulkhead connector NPQP-H

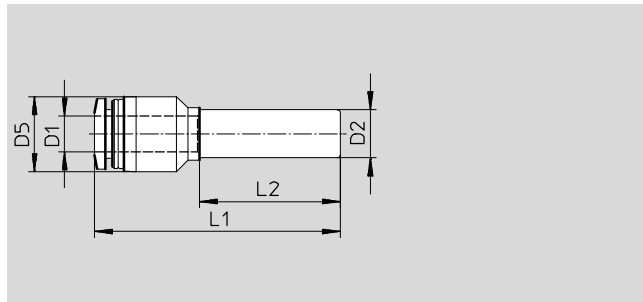


Dimensions and ordering data											
Tubing O.D.	Nominal size	D5	D6	L1	L2	L3	≅	Weight/piece	Part No.	Type	PU <sup>1)</sup>
D1	[mm]	∅				max.		[g]			
4	2.3	10	M12x1.5	31.6	9.3	6.5	14	7.2	133100	NPQP-H-Q4-E-FD	1
6	3.7	12.3	M14x1.5	35.8	9.9	9.5	17	10.2	133101	NPQP-H-Q6-E-FD	1
8	4.9	14.2	M16x1.5	38.4	10.7	9	19	14.3	133102	NPQP-H-Q8-E-FD	1
10	7.1	17.5	M20x2	43.4	13.2	12	24	24.4	133103	NPQP-H-Q10-E-FD	1
12	7.8	21	M24x2	48.8	13.4	14	27	30.4	133104	NPQP-H-Q12-E-FD	1

1) Packaging unit

## Push-in connector NPQP-D

with push-in sleeve



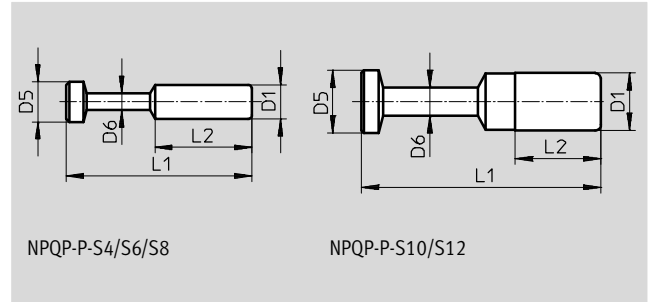
Dimensions and ordering data											
Tubing O.D.	Nominal size	Push-in sleeve ∅	D5	L1	L2	Weight/piece	Part No.	Type	PU <sup>1)</sup>		
D1	[mm]	D2	∅			[g]					
4	2.5	6	10.0	37.8	22.3	2.4	133133	NPQP-D-Q4-S6-FD-P10	10		
	2.4	8	12.5	40.3	23.3	3.0	133134	NPQP-D-Q4-S8-FD-P10	10		
6	3.8	8	12.5	40.9	23.3	3.2	133135	NPQP-D-Q6-S8-FD-P10	10		
	3.8	10	12.5	43.9	28.3	3.6	133136	NPQP-D-Q6-S10-FD-P10	10		
8	5.4	10	14.5	43.7	24.8	4.7	133137	NPQP-D-Q8-S10-FD-P10	10		
	5.4	12	14.5	49.7	33.5	5.4	133138	NPQP-D-Q8-S12-FD-P10	10		
10	6.3	12	17.5	50.2	28.8	7.9	133139	NPQP-D-Q10-S12-FD-P10	10		

1) Packaging unit

# Push-in fittings NPQP

Technical data

## Blanking plug NPQP-P



Dimensions and ordering data								
Push-in sleeve Ø D1	D5 Ø	D6 Ø	L1	L2	Weight/piece [g]	Part No.	Type	PU <sup>1)</sup>
4	5	3	27.5	15.0	0.5	133128	NPQP-P-S4-FD-P10	10
6	7	3	32.5	17.0	0.5	133129	NPQP-P-S6-FD-P10	10
8	9	4	36.5	18.1	1.0	133130	NPQP-P-S8-FD-P10	10
10	11	5	42.0	20.2	2.0	133131	NPQP-P-S10-FD-P10	10
12	13	6	44.0	23.4	2.5	133132	NPQP-P-S12-FD-P10	10

1) Packaging unit

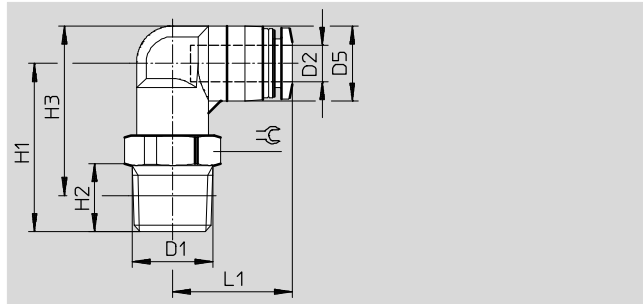
# Push-in fittings NPQP

Technical data



## Push-in L-fitting NPQP-L

Male thread  
with external hex

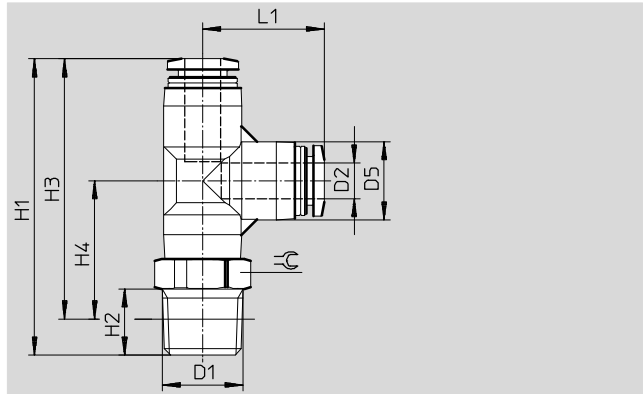


Dimensions and ordering data												
Connection	Nominal size	Tubing O.D.	D5	H1	H2	H3	L1	⌀	Weight/piece	Part No.	Type	PU <sup>1)</sup>
D1	[mm]	D2							[g]			
R <sup>1</sup> / <sub>8</sub>	2.1	4	10.0	23.3	8	24.3	18.1	10	4.0	133051	NPQP-L-R18-Q4-FD-P10	10
	3.3	6	12.5	25.0	8	27.3	19.9	12	5.0	133053	NPQP-L-R18-Q6-FD-P10	10
	4.7	8	14.5	28.0	8	31.3	22.7	14	7.0	133055	NPQP-L-R18-Q8-FD-P10	10
R <sup>1</sup> / <sub>4</sub>	2.1	4	10.0	26.3	11	25.3	18.1	14	4.5	133052	NPQP-L-R14-Q4-FD-P10	10
	3.3	6	12.5	28.0	11	28.2	19.9	14	5.5	133054	NPQP-L-R14-Q6-FD-P10	10
	4.7	8	14.5	31.0	11	32.2	22.7	14	7.5	133056	NPQP-L-R14-Q8-FD-P10	10
	5.7	10	17.5	36.0	11	38.7	26.4	17	12.0	133057	NPQP-L-R14-Q10-FD-P10	10
R <sup>3</sup> / <sub>8</sub>	5.7	10	17.5	37.0	12	39.4	26.4	17	13.0	133058	NPQP-L-R38-Q10-FD-P10	10
	6.9	12	21.0	39.0	12	43.2	29.6	22	18.0	133059	NPQP-L-R38-Q12-FD-P10	10
R <sup>1</sup> / <sub>2</sub>	6.9	12	21.0	42.0	15	44.3	29.6	22	19.0	133060	NPQP-L-R12-Q12-FD	1

1) Packaging unit

## Push-in L-fitting NPQP-LQ

Male thread  
with external hex



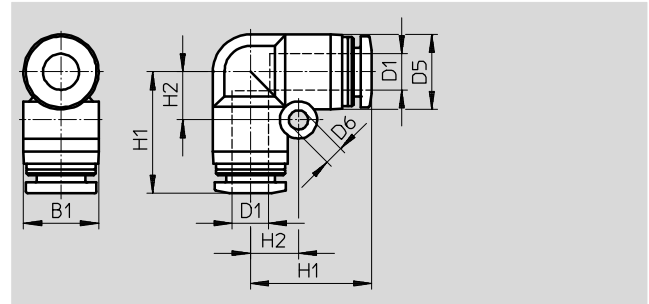
Dimensions and ordering data													
Connection	Nominal size	Tubing O.D.	D5	H1	H2	H3	H4	L1	⌀	Weight/piece	Part No.	Type	PU <sup>1)</sup>
D1	[mm]	D2								[g]			
R <sup>1</sup> / <sub>8</sub>	2.0	4	10.0	40.2	8	36.2	19.2	17.0	10	6.0	133061	NPQP-LQ-R18-Q4-FD-P10	10
	3.3	6	13.0	46.3	8	42.3	22.0	20.2	12	8.0	133063	NPQP-LQ-R18-Q6-FD-P10	10
	4.8	8	15.0	50.4	8	46.4	24.2	22.2	14	11.0	133065	NPQP-LQ-R18-Q8-FD-P10	10
R <sup>1</sup> / <sub>4</sub>	2.0	4	10.0	43.2	11	37.2	20.2	17.0	14	6.5	133062	NPQP-LQ-R14-Q4-FD-P10	10
	3.3	6	13.0	49.3	11	43.3	23.0	20.2	14	8.5	133064	NPQP-LQ-R14-Q6-FD-P10	10
	4.8	8	15.0	53.4	11	47.4	25.2	22.2	14	12.0	133066	NPQP-LQ-R14-Q8-FD-P10	10
	5.8	10	17.5	61.4	11	55.4	30.0	25.4	17	18.0	133067	NPQP-LQ-R14-Q10-FD-P10	10
R <sup>3</sup> / <sub>8</sub>	5.8	10	17.5	62.4	12	56.1	30.7	25.4	17	19.0	133068	NPQP-LQ-R38-Q10-FD-P10	10
	6.9	12	21.0	67.8	12	61.5	32.9	28.4	22	26.0	133069	NPQP-LQ-R38-Q12-FD-P10	10
R <sup>1</sup> / <sub>2</sub>	6.9	12	21.0	70.8	15	62.6	34.0	28.4	22	28.0	133070	NPQP-LQ-R12-Q12-FD	1

1) Packaging unit

# Push-in fittings NPQP

Technical data

## Push-in L-connector NPQP-L



Dimensions and ordering data											
Tubing O.D.	Nominal size	Tubing O.D.	D5	D6	B1	H1	H2	Weight/piece	Part No.	Type	PU <sup>1)</sup>
D1	[mm]	D1	∅					[g]			
4	2.3	4	10.0	3.2	10.0	17.0	6.5	4.5	<b>133105</b>	<b>NPQP-L-Q4-E-FD-P10</b>	<b>10</b>
6	3.6	6	12.5	3.2	12.5	20.2	8.0	6.0	<b>133106</b>	<b>NPQP-L-Q6-E-FD-P10</b>	<b>10</b>
8	4.6	8	15.0	4.2	15.6	22.4	10.0	9.0	<b>133107</b>	<b>NPQP-L-Q8-E-FD-P10</b>	<b>10</b>
10	6.2	10	17.5	4.2	18.2	26.4	12.0	14.0	<b>133108</b>	<b>NPQP-L-Q10-E-FD-P10</b>	<b>10</b>
12	7.7	12	21.0	4.2	21.7	29.6	14.0	20.0	<b>133109</b>	<b>NPQP-L-Q12-E-FD-P10</b>	<b>10</b>

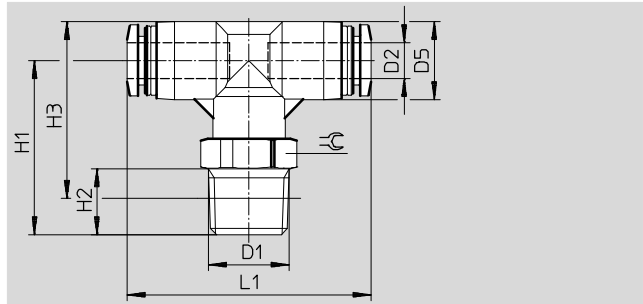
1) Packaging unit

# Push-in fittings NPQP

Technical data



## Push-in T-fitting NPQP-T



Dimensions and ordering data												
Connection	Nominal size	Tubing O.D.	D5	H1	H2	H3	L1	⌀	Weight/ piece	Part No.	Type	PU <sup>1)</sup>
D1	[mm]	D2							[g]			
R <sup>1</sup> / <sub>8</sub>	2.0	4	10.0	23.2	8	24.2	34.0	10	6.0	<b>133071</b>	<b>NPQP-T-R18-Q4-FD-P10</b>	<b>10</b>
	3.2	6	13.0	26.0	8	28.5	40.6	12	8.0	<b>133073</b>	<b>NPQP-T-R18-Q6-FD-P10</b>	<b>10</b>
	4.7	8	15.0	26.3	8	29.8	44.8	14	11.0	<b>133075</b>	<b>NPQP-T-R18-Q8-FD-P10</b>	<b>10</b>
R <sup>1</sup> / <sub>4</sub>	2.0	4	10.0	26.2	11	25.2	34.0	14	6.5	<b>133072</b>	<b>NPQP-T-R14-Q4-FD-P10</b>	<b>10</b>
	3.2	6	13.0	29.0	11	29.5	40.6	14	8.5	<b>133074</b>	<b>NPQP-T-R14-Q6-FD-P10</b>	<b>10</b>
	4.7	8	15.0	29.3	11	30.8	44.8	14	12.0	<b>133076</b>	<b>NPQP-T-R14-Q8-FD-P10</b>	<b>10</b>
	5.8	10	17.5	36.0	11	38.7	50.8	17	18.0	<b>133077</b>	<b>NPQP-T-R14-Q10-FD-P10</b>	<b>10</b>
R <sup>3</sup> / <sub>8</sub>	5.8	10	17.5	37.0	12	39.4	50.8	17	19.0	<b>133078</b>	<b>NPQP-T-R38-Q10-FD-P10</b>	<b>10</b>
	6.9	12	21.0	39.0	12	43.2	57.2	22	26.0	<b>133079</b>	<b>NPQP-T-R38-Q12-FD-P10</b>	<b>10</b>
R <sup>1</sup> / <sub>2</sub>	6.9	12	21.0	42.0	15	44.3	57.2	22	28.0	<b>133080</b>	<b>NPQP-T-R12-Q12-FD</b>	<b>1</b>

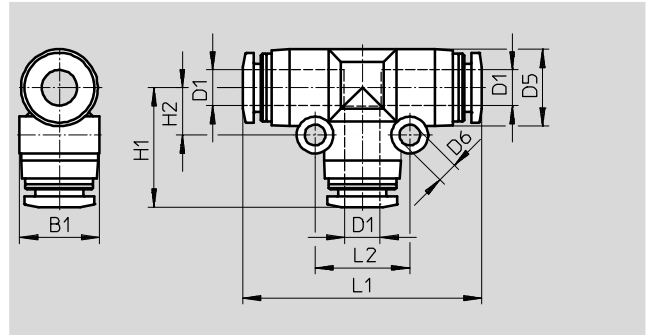
1) Packaging unit

# Push-in fittings NPQP

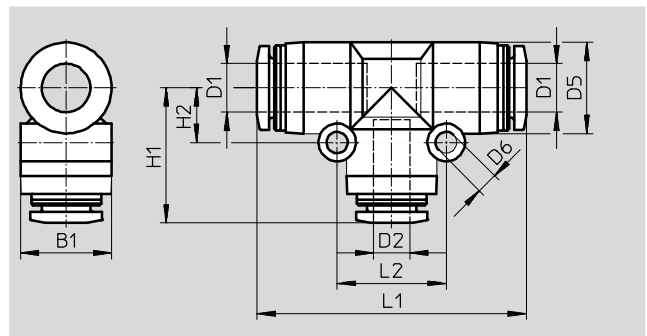
Technical data



## Push-in T-connector NPQP-T



Reducing



Dimensions and ordering data													
Tubing O.D.	Nominal size	Tubing O.D.	D5	D6	B1	H1	H2	L1	L2	Weight/ piece	Part No.	Type	PU <sup>1)</sup>
D1	[mm]	D2	∅							[g]			
4	2.6	-	10.0	3.2	10.4	17.3	6.5	34.6	13.0	6.5	<b>133110</b>	<b>NPQP-T-Q4-E-FD-P10</b>	<b>10</b>
6	4.0	-	13.0	3.2	13.5	20.2	8.0	40.4	16.0	9.0	<b>133111</b>	<b>NPQP-T-Q6-E-FD-P10</b>	<b>10</b>
8	5.0	-	15.0	3.2	15.6	22.2	9.0	44.4	18.0	13.0	<b>133112</b>	<b>NPQP-T-Q8-E-FD-P10</b>	<b>10</b>
10	6.7	-	17.5	4.2	18.2	25.4	12.0	50.8	24.0	21.0	<b>133113</b>	<b>NPQP-T-Q10-E-FD-P10</b>	<b>10</b>
12	8.7	-	21.0	4.2	21.7	28.4	14.0	57.2	28.0	30.0	<b>133114</b>	<b>NPQP-T-Q12-E-FD-P10</b>	<b>10</b>
<b>Reducing</b>													
6	2.3	4	13.0	3.2	13.5	19.6	8.0	40.4	16.0	9.0	<b>133115</b>	<b>NPQP-T-Q6-Q4-FD-P10</b>	<b>10</b>
8	3.6	6	15.0	3.2	15.6	22.4	9.0	44.4	18.0	12.0	<b>133116</b>	<b>NPQP-T-Q8-Q6-FD-P10</b>	<b>10</b>
10	5.0	8	17.5	4.2	18.2	24.9	12.0	50.8	24.0	19.5	<b>133117</b>	<b>NPQP-T-Q10-Q8-FD-P10</b>	<b>10</b>
12	6.4	10	21.0	4.2	21.7	28.2	14.0	57.2	28.0	28.0	<b>133118</b>	<b>NPQP-T-Q12-Q10-FD-P10</b>	<b>10</b>

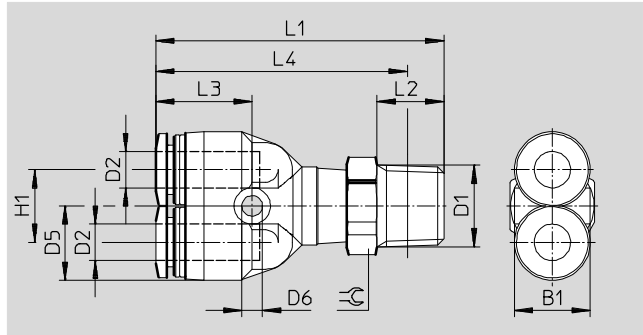
1) Packaging unit

# Push-in fittings NPQP

Technical data



## Push-in Y-fitting NPQP-Y



Dimensions and ordering data															
Connection	Nominal size [mm]	Tubing O.D.	D5	D6	B1	H1	L1	L2	L3	L4	⌀	Weight/ piece [g]	Part No.	Type	PU <sup>1)</sup>
D1	D2														
<b>R thread</b>															
R <sup>1</sup> / <sub>8</sub>	2.0	4	10.0	3.2	10.4	11	40.7	8	14.2	36.7	10	6.5	<b>133081</b>	<b>NPQP-Y-R18-Q4-FD-P10</b>	<b>10</b>
	2.8	6	12.5	3.4	13.5	12	44.5	8	15.9	40.5	12	8.0	<b>133083</b>	<b>NPQP-Y-R18-Q6-FD-P10</b>	<b>10</b>
	4.5	8	14.5	3.4	14.5	14	48.7	8	17.2	44.7	14	12.0	<b>133085</b>	<b>NPQP-Y-R18-Q8-FD-P10</b>	<b>10</b>
R <sup>1</sup> / <sub>4</sub>	2.0	4	10.0	3.2	10.4	11	43.7	11	14.2	37.7	14	7.0	<b>133082</b>	<b>NPQP-Y-R14-Q4-FD-P10</b>	<b>10</b>
	2.8	6	12.5	3.4	13.5	12	47.5	11	15.9	41.5	14	8.5	<b>133084</b>	<b>NPQP-Y-R14-Q6-FD-P10</b>	<b>10</b>
	4.5	8	14.5	3.4	14.5	14	51.7	11	17.2	45.7	14	12.0	<b>133086</b>	<b>NPQP-Y-R14-Q8-FD-P10</b>	<b>10</b>
	5.3	10	18.0	4.5	18.0	18	58.5	11	19.7	52.5	17	20.0	<b>133087</b>	<b>NPQP-Y-R14-Q10-FD-P10</b>	<b>10</b>
R <sup>3</sup> / <sub>8</sub>	5.3	10	18.0	4.5	18.0	18	59.5	12	19.7	53.2	17	21.0	<b>133088</b>	<b>NPQP-Y-R38-Q10-FD-P10</b>	<b>10</b>
	6.2	12	21.0	4.2	21.0	20	64.7	12	22.4	58.4	22	28.0	<b>133089</b>	<b>NPQP-Y-R38-Q12-FD-P10</b>	<b>10</b>
R <sup>1</sup> / <sub>2</sub>	6.2	12	21.0	4.2	21.0	20	67.7	15	22.4	59.5	22	30.0	<b>133090</b>	<b>NPQP-Y-R12-Q12-FD</b>	<b>1</b>

1) Packaging unit

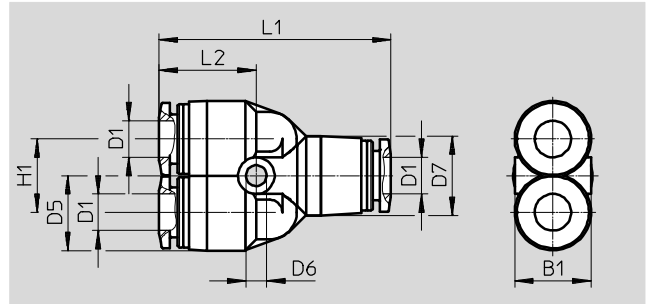


# Push-in fittings NPQP

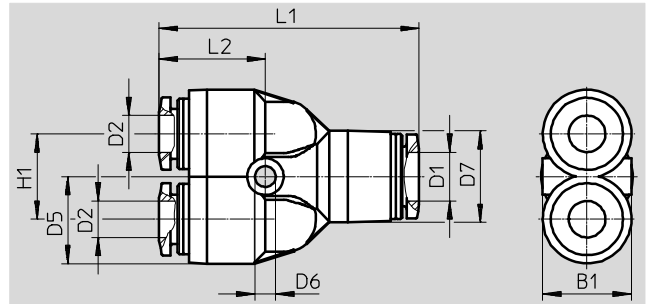
Technical data



## Push-in Y-connector NPQP-Y



Reducing



Dimensions and ordering data													
Tubing O.D.	Nominal size [mm]	Tubing O.D.	D5 ∅	D6	D7	B1	H1	L1	L2	Weight/ piece [g]	Part No.	Type	PU <sup>1)</sup>
D1		D2											
4	2.3	-	10.0	3.2	10.0	10.4	11.0	33.0	14.2	6.5	133119	NPQP-Y-Q4-E-FD-P10	10
6	3.6	-	12.5	3.4	13.0	13.5	12.0	38.0	15.9	9.0	133120	NPQP-Y-Q6-E-FD-P10	10
8	4.6	-	14.5	3.4	15.0	14.5	14.0	42.4	17.2	13.0	133121	NPQP-Y-Q8-E-FD-P10	10
10	5.9	-	17.5	4.2	17.5	18.2	18.0	48.8	19.7	22.0	133122	NPQP-Y-Q10-E-FD-P10	10
12	7.0	-	21.0	4.2	21.0	21.7	20.0	55.2	22.4	31.0	133123	NPQP-Y-Q12-E-FD-P10	10
Reducing													
6	2.3	4	12.5	3.4	13.0	13.5	12.0	37.4	15.3	8.5	133124	NPQP-Y-Q6-Q4-FD-P10	10
8	3.6	6	12.5	3.4	14.5	15.1	14.0	42.6	17.4	11.5	133125	NPQP-Y-Q8-Q6-FD-P10	10
10	4.7	8	14.5	4.5	17.5	18.2	18.0	48.3	19.2	18.5	133126	NPQP-Y-Q10-Q8-FD-P10	10
12	5.9	10	17.5	4.5	21.0	21.7	20.0	55.0	22.2	28.5	133127	NPQP-Y-Q12-Q10-FD-P10	10

1) Packaging unit

# Festo - Your Partner in Automation



**1 Festo Inc.**  
5300 Explorer Drive  
Mississauga, ON L4W 5G4  
Canada

**Festo Customer Interaction Center**  
Tel: 1 877 463 3786  
Fax: 1 877 393 3786  
Email: [customer.service.ca@festo.com](mailto:customer.service.ca@festo.com)



**2 Festo Pneumatic**  
Av. Ceylán 3,  
Col. Tequesquináhuac  
54020 Tlalneantla,  
Estado de México

**Multinational Contact Center**  
01 800 337 8669  
[ventas.mexico@festo.com](mailto:ventas.mexico@festo.com)



**3 Festo Corporation**  
1377 Motor Parkway  
Suite 310  
Islandia, NY 11749

**Festo Customer Interaction Center**  
1 800 993 3786  
1 800 963 3786  
[customer.service.us@festo.com](mailto:customer.service.us@festo.com)



**4 Regional Service Center**  
7777 Columbia Road  
Mason, OH 45040

Connect with us



[www.festo.com/socialmedia](http://www.festo.com/socialmedia)



[www.festo.com](http://www.festo.com)

Subject to change