

Linear drives SLM, with guided slide



# Linear drives SLM, with guided slide

Key features

## Version

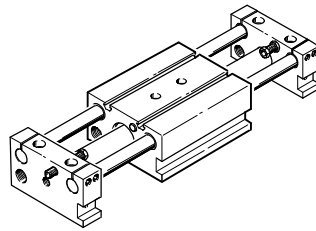
The linear drive SLM is a combination of a slide unit and a rodless linear drive. The drive moves the slide. The

transmission of movement is accomplished via a magnetic coupling. The modular system allows

for individualised end-position cushioning and end-position sensing solutions.

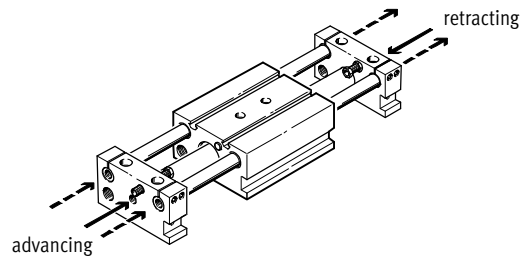
## Basic unit

### SLM-...-G



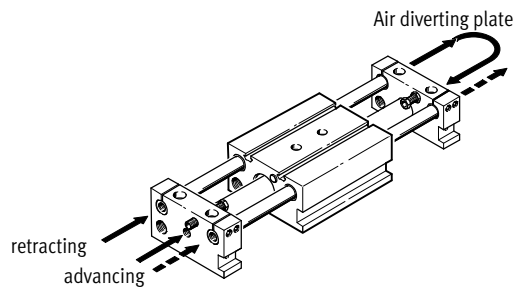
### SLM-...-GL

with hollow guide rods



### SLM-...-GU

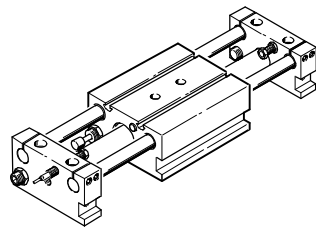
with hollow guide rods, air diverting plate and supply port on one side



## Standard unit

### SLM-...-S

with two self-adjusting shock absorbers and two inductive proximity sensors with PNP output



# Linear drives SLM, with guided slide

Key features

## Multi-axis combinations

The linear drive SLM can be combined with the linear unit SLE to produce a range of 2-axis or 3-axis systems.

→ [www.festo.com](http://www.festo.com)

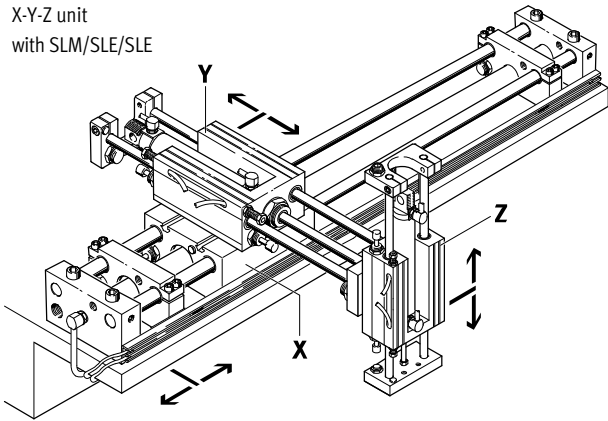
The units are bolted together directly for multi-axis operation.

The centring pins and sleeves required to secure the units together are included in the scope of delivery.

Linear unit SLE

→ Internet: [sle](http://sle)

X-Y-Z unit  
with SLM/SLE/SLE

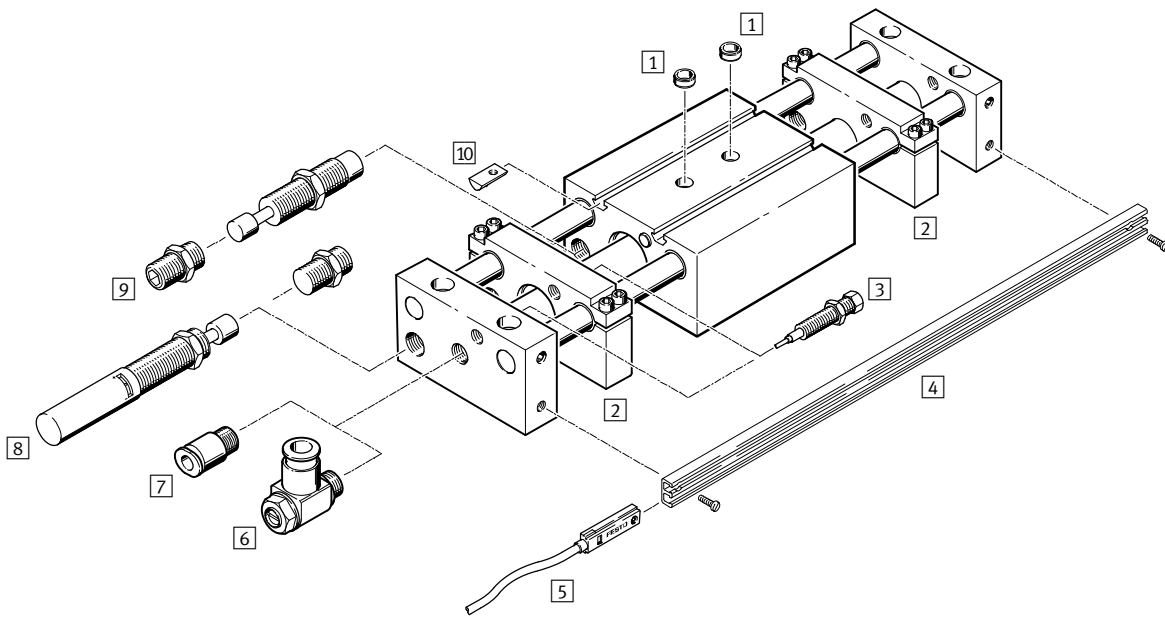


X	Y	Z
2 axes		
SLM-12	SLE-10	-
SLM-20	SLE-16	-
SLM-32	SLE-20 or SLE-25	-
SLM-40	SLE-32	-
3 axes		
SLM-20	SLE-16	SLE-10
SLM-32	SLE-20 or SLE-25	SLE-16
SLM-40	SLE-32	SLE-20 or SLE-25

# Linear drives SLM, with guided slide

Peripherals overview

FESTO



# Linear drives SLM, with guided slide

Peripherals overview

Accessories		
Type/Order code	Description	→ Page/Internet
1 Centring sleeve ZBH	For centring loads and attachments on the slide	16
2 Stop plate SLM-...-KF-A	For variable stroke adjustment	16
3 Switching stop with proximity sensor SL-...-SIE-PS/SL-...-SIE-NS	Can be integrated in the end or stop plate	15
4 Mounting rail SLZS/SLMS	For mounting proximity sensors SME/SMT-8	16
5 Proximity sensor SME/SMT-8	Can be integrated in the mounting rail SLZS/SLMS	16
6 One-way flow control valve GRLA	For speed regulation	17
7 Push-in fitting QS	For connecting compressed air tubing with standard O.D.	qs
8 Shock absorber kit, adjustable SLZ-...-KF-A	For slowing higher speeds to a stop	15
9 Shock absorber kit, self-adjusting SLZ-...-YSR-C	For slowing higher speeds to a stop	15
10 Slot nut NST	For mounting loads and attachments on the slide	16

# Linear drives SLM, with guided slide

Type code

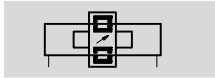
SLM - 25 - 125 - KF - A - G - CV - CH - PV - PH - HV - HH - E - 41

<b>Type</b>	
Double-acting	
SLM	Linear drive
<b>Piston Ø [mm]</b>	
25	
<b>Stroke [mm]</b>	
125	
<b>Guide</b>	
KF	Recirculating ball bearing guide
<b>Position sensing</b>	
A	For proximity sensing
<b>Version</b>	
Standard unit	
S	= G - CV - CH - PV - PH
Basic unit	
G	Pneumatic drive
GL	Pneumatic drive and hollow guide rods
GU	Pneumatic drive, hollow guide rods and air diverting plate
<b>Shock absorber kit at front</b>	
CV	Self-adjusting
YV	Adjustable
<b>Shock absorber kit at rear</b>	
CH	Self-adjusting
YH	Adjustable
<b>Switching stop at front</b>	
PV	With proximity sensor, PNP
NV	With proximity sensor, NPN
<b>Switching stop at rear</b>	
PH	With proximity sensor, PNP
NH	With proximity sensor, NPN
<b>Stroke adjustment at front</b>	
HV	Stop plate at front
<b>Stroke adjustment at rear</b>	
HH	Stop plate at rear
<b>Mounting rail</b>	
E	Mounting rail
<b>Accessories</b>	
...I	Slot nut, 1 ... 10 pieces

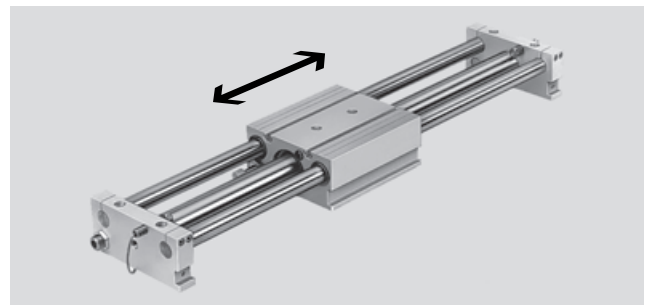
# Linear drives SLM, with guided slide



Technical data

Function



 www.festo.com



-  - Diameter  
12 ... 40 mm
-  - Stroke length  
10 ... 1500 mm

General technical data						
Piston Ø	12	16	20	25	32	40
Stroke [mm]	10 ... 500	10 ... 800		10 ... 1500		
Pneumatic connection	M5		G1/8		G1/4	
Mode of operation	Double-acting					
Constructional design	Slide unit					
	Rodless linear drive					
End-position cushioning via shock absorber	Self-adjusting at both ends					
	-	-	Adjustable at both ends			
Position sensing	For proximity sensing					
Type of mounting	Via through-holes					
	Via female thread					
Mounting position	Any					
Protection against torsion/guide	Guide rods with slide/ball bearing guide					

Operating and environmental conditions						
Piston Ø	12	16	20	25	32	40
Operating medium	Compressed air in accordance with ISO 8573-1:2010 [7:-:-]					
Note on operating/pilot medium	Operation with lubricated medium possible (in which case lubricated operation will always be required)					
Operating pressure [bar]	≤7					
Ambient temperature <sup>1)</sup> [°C]	-20 ... +60					

1) Note operating range of proximity sensors.

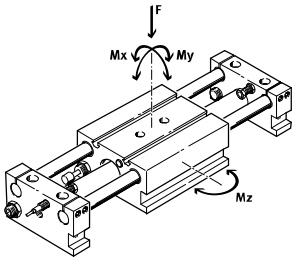
Forces [N]						
Piston Ø	12	16	20	25	32	40
Theoretical force at 6 bar, advancing	68	121	188	295	483	754
Theoretical force at 6 bar, retracting	68	121	188	295	483	754
Breakaway force of the magnetic coupling	100	160	270	400	680	1050

# Linear drives SLM, with guided slide

Technical data

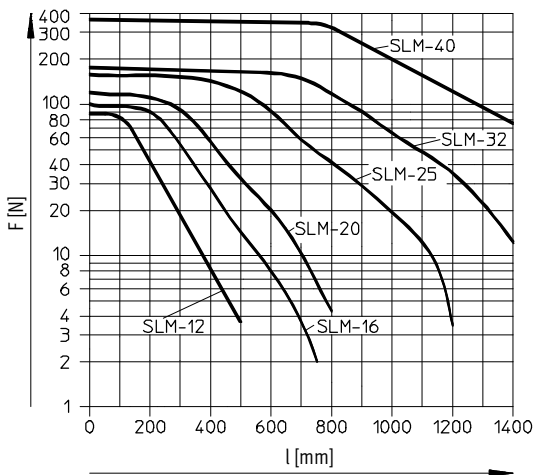


## Permissible dynamic load

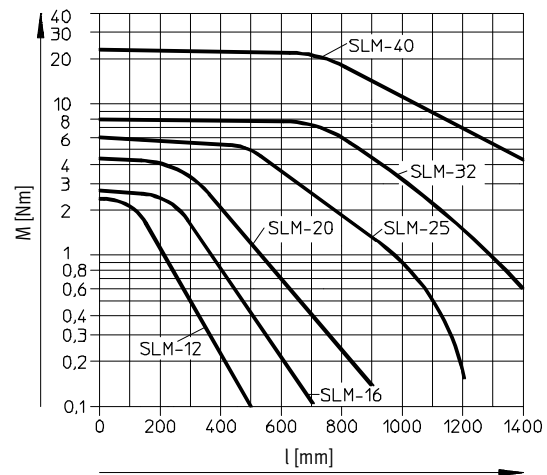


- F = Load
- $M \geq M_x$
- $M \geq M_y$
- $M \geq M_z$

## Permissible effective load F as a function of the stroke l



## Permissible torque M as a function of the stroke l



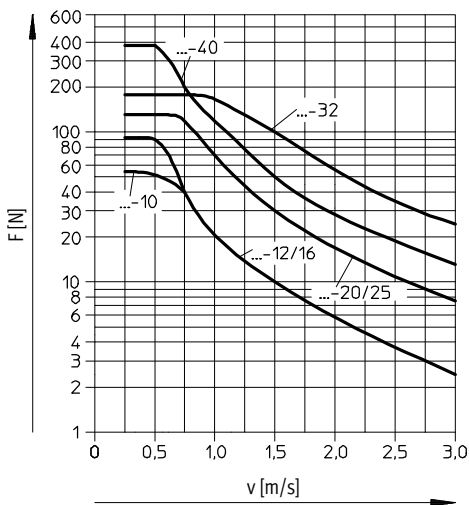
## Permissible shock absorber load F as a function of the impact velocity v

with horizontal installation

$$F \geq m_L \times g$$

$$g = 9.81 \text{ N/mm}^2$$

$$m_L = \text{Load [kg]}$$



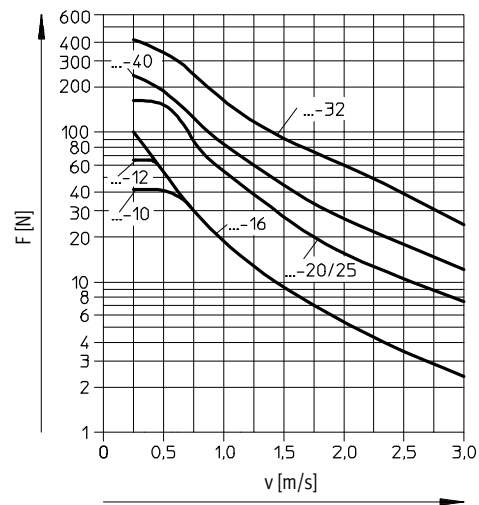
with vertical installation

$$F \geq (m_L + m_E) \times g$$

$$g = 9.81 \text{ N/mm}^2$$

$$m_E = \text{Moving load (dead weight) [kg]}$$

$$m_L = \text{Load [kg]}$$





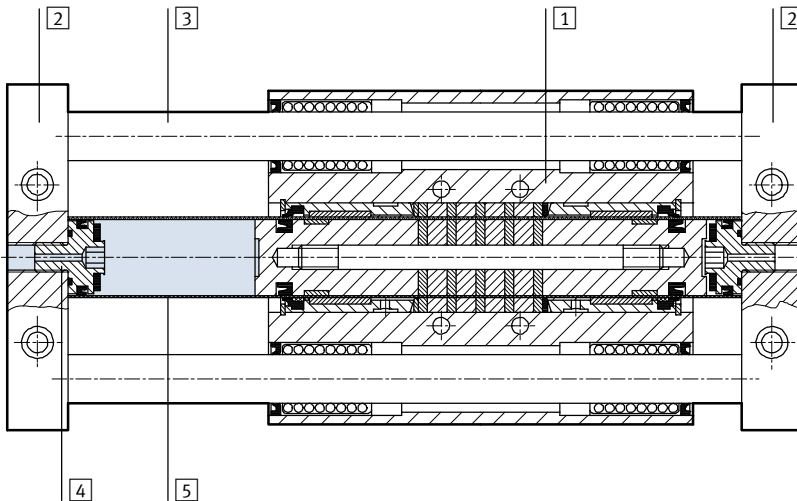
# Linear drives SLM, with guided slide

Technical data

Weights [g]						
Piston $\varnothing$	12	16	20	25	32	40
Basic weight with 0 mm stroke	1110	1730	2620	3800	6400	9550
Additional weight per 10 mm stroke	10	15	21	36	55	85
Moving load	620	1080	1400	2150	3150	5080

## Materials

Sectional view



Linear drive	
1	Slide Wrought aluminium alloy
2	End plate Wrought aluminium alloy
3	Guide rod Steel
4	Cylinder barrel attachment Wrought aluminium alloy
5	Cylinder barrel High-alloy stainless steel
-	Stop plate Wrought aluminium alloy
-	Seals Nitrile rubber

# Linear drives SLM, with guided slide

Technical data

FESTO

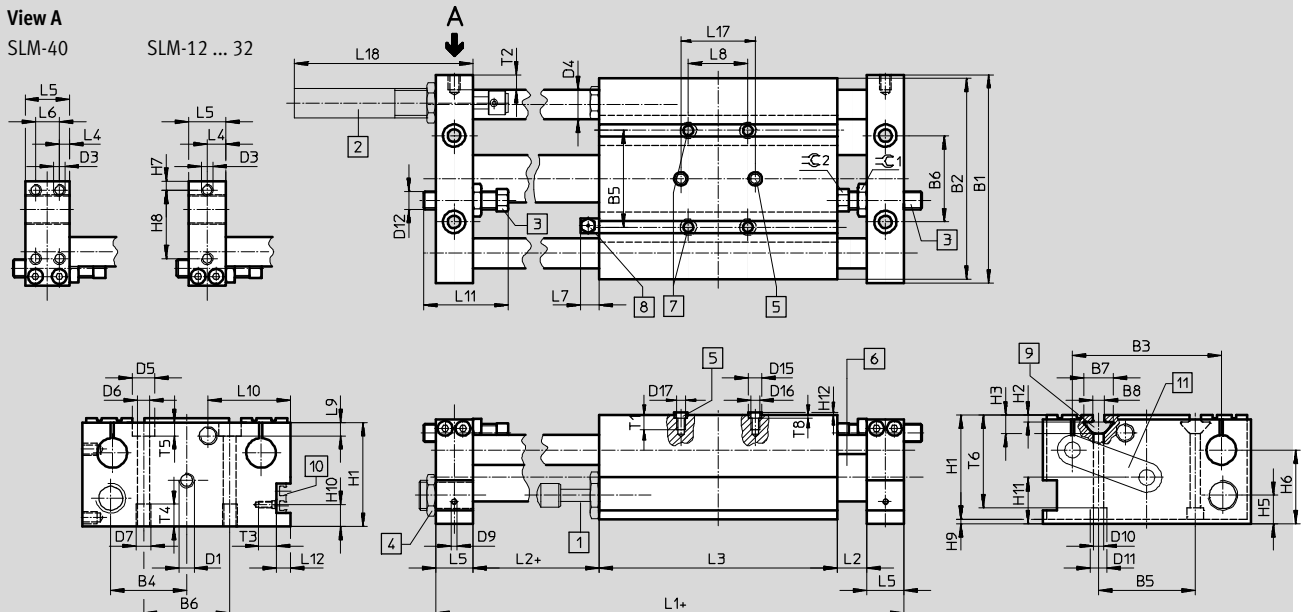
## Dimensions

Download CAD data → [www.festo.com](http://www.festo.com)

### View A

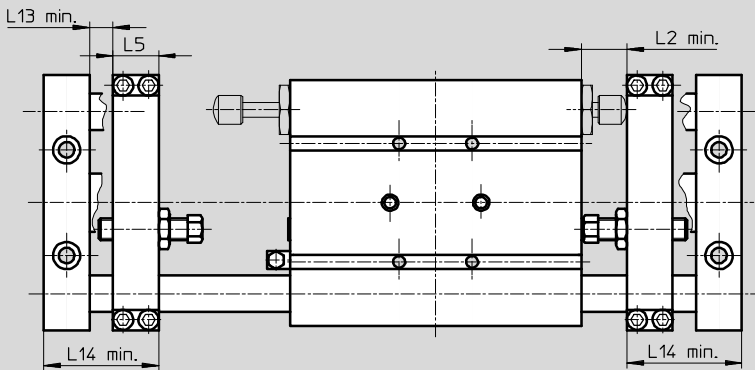
SLM-40

SLM-12 ... 32



- |   |  |                                |  |
|---|--|--------------------------------|--|
| 1 Self-adjusting shock absorber, for front and rear mounting              | 3 Switching stop with proximity sensor, PNP/NPN, for front and rear mounting | 6 Pneumatic linear drive       | 10 Mounting rail for proximity sensor SME/SMT-8  |
| 2 Adjustable shock absorber, for front and rear mounting on the end plate | 4 Shock absorber stop  | 7 Mounting thread/through-hole | 11 Air diverting plate<br>+ = plus stroke length |
|   | 5 Centring sleeves (2 included in scope of delivery)                         | 8 Lubrication nipple           |  |
|   |  | 9 Slot nut                     |  |

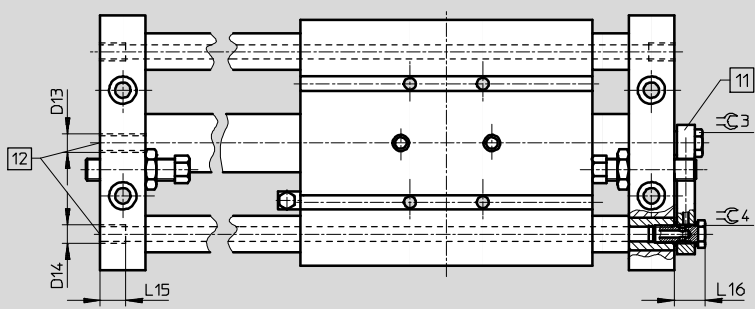
### with stop plate



- - Note

In the case of stroke settings with stop plates front and/or rear, the stroke is reduced by L5 and L13 min at each end.

### with hollow guide rod and air diverting plate



- |                        |
|------------------------|
| 11 Air diverting plate |
| 12 Supply port         |

# Linear drives SLM, with guided slide

Technical data

∅	B1	B2	B3	B4	B5	B6	B7	B8	D1	D3	D4	D5	D6	D7	D9	D10
[mm]			±0.03		±0.2	±0.2					∅ h6	∅	∅			∅
12	74	71	52	26.5	26	35	11.6	5	M5	M5	8	10	5.3	M6	M4	5.3
16	84	80	58	31	32	40	11.6	5	M5	M5	10	10	5.3	M6	M4	5.5
20	100	96	72	36.5	40	47	11.6	5	G1/8	M6	12	11	6.8	M8	M4	5.5
25	114	110	80	39.5	45	48	11.6	5	G1/8	M6	16	10.5	6.8	M8	M4	5.5
32	140	135	100	51	65	58	20	8	G1/8	M8	20	15	8.5	M10	M4	6.6
40	166	160	118	63	75	78	20	8	G1/4	M6	25	15	8.5	M10	M4	6.6

∅	D11	D12	D13	D14	D15	D16	D17	H1	H2	H3	H5	H6	H7	H8	H9
[mm]	∅				∅ H7	∅								±0.2	
12	9	M6x0.75	M5	-	9	6.4	M6	38	1.8	6.4	11.5	27	3.5	31	2
16	10	M6x0.75	M5	M5	9	6.4	M6	40	1.8	6.4	12	28.5	4.5	31	2
20	10	M8x1	G1/8	M5	9	6.4	M6	50	1.8	6.4	16	36	5	40	2
25	10	M8x1	G1/8	G1/8	9	6.4	M6	55	1.8	6.4	14	36.5	5	34	2
32	11	M12x1	G1/8	G1/8	9	6.4	M6	70	4.5	12.5	19	49.5	6	46	3
40	11	M12x1	G1/4	G1/4	9	6.4	M6	75	4.5	12.5	19	51	5.5	51.5	3

∅	H10	H11	H12	L1	L2	L3	L4	L5	L6	L7	L8	L9	L10	L11	L12	L13
[mm]											±0.2					
12	16	15.5	1.9	139	12	85	7.5	15	-	11	19	6.5	37	33	-	7
16	16	19	1.9	154	12	100	7.5	15	-	11	32	6	31.5	33	-	7
20	16	22	1.9	192	16	120	10	20	-	12.5	26	8	44	45	-	10
25	16	25	1.9	212	16	140	10	20	-	12.5	26	8	45	45	-	10
32	14.8	31	1.9	250	20	160	12.5	25	-	12.5	40	9	55.5	57	9.5	13
40	15.8	36.5	1.9	270	20	180	6.5	25	12	12.5	50	9	61.5	57	10	13

∅	L14	L15	L16	L17 <sup>1)</sup>	L18	T1	T2	T3	T4	T5	T6	T8	≈C1	≈C2	≈C3	≈C4
[mm]												+0.2				
12	37	-	-	40	-	10	7	12	10	5.7	30.5	2.1	10	8	-	-
16	37	8	12.5	40	-	10	6.5	12	10	5.7	34.3	2.1	10	8	13	-
20	50	8	19.5	40	97	10	9	12	12	6.8	44	2.1	13	11	13	8
25	50	10	19.5	40	97	10	9	12	12	6.8	49.3	2.1	13	11	13	-
32	63	14	15.5	40	115	10	10	12	15	9	62.5	2.1	19	13	13	-
40	63	15	17	40	115	10	10	12	16	9	61	2.1	19	13	17	-

1) Tolerance for centring hole: ±0.03 mm  
Tolerance for thread: ±0.1 mm

# Linear drives SLM, with guided slide

Ordering data – Modular products

Ordering table									
Size	12	16	20	25	32	40	Condi- tions	Code	Enter code
<b>M</b> Module No.	<b>32781</b>	<b>32782</b>	<b>32783</b>	<b>32784</b>	<b>32785</b>	<b>32786</b>			
Drive function	Linear unit							<b>SLM</b>	SLM
Size [mm]	12	16	20	25	32	40		-...	
Stroke [mm]	10 ... 500		10 ... 800		10 ... 1500			-...	
Guide	Via ball bearings							<b>-KF</b>	-KF
Position sensing	For proximity sensing							<b>-A</b>	-A
Basic unit	Linear unit with pneumatic drive							<b>-G</b>	
	-	Linear unit with pneumatic drive and hollow guide rods						<b>-GL</b>	
	-	Linear unit with pneumatic drive, hollow guide rods and air diverting plate						<b>-GU</b>	



- M** Mandatory data
- O** Options

Transfer order code

# Linear drives SLM, with guided slide

Ordering data – Modular products

Ordering table									
Size	12	16	20	25	32	40	Condi- tions	Code	Enter code
↓ 0	Shock absorber	at front	Self-adjusting shock absorber, with stop at front					-CV	
			-	-	Adjustable shock absorber, with stop at front			-YV	
		at rear	Self-adjusting shock absorber, with stop at rear					-CH	
			-	-	Adjustable shock absorber, with stop at rear			-YH	
	Sensor (bonded)	at front	Inductive sensor with 2.5 m cable, PNP, with stop sleeve at front					-PV	
Inductive sensor with 2.5 m cable, NPN, with stop sleeve at front					-NV				
		at rear	Inductive sensor with 2.5 m cable, PNP, with stop sleeve at rear					-PH	
Inductive sensor with 2.5 m cable, NPN, with stop sleeve at rear					-NH				
	Stroke adjustment	at front	Stop plate at front				1	-HV	
		at rear	Stop plate at rear				2	-HH	
	Mounting rail	Mounting rail					-E		
	Slot nut	1 ... 10					-...I		

- 1 HV Not in combination with YV
- 2 HH Not in combination with YH

**M** Mandatory data  
**O** Options

Transfer order code

-  -  -  -  -  -  -

# Linear drives SLM, with guided slide

Ordering data – Modular products, package solution

Ordering table									
Size	12	16	20	25	32	40	Condi- tions	Code	Enter code
<b>M</b> Module No.	<b>32781</b>	<b>32782</b>	<b>32783</b>	<b>32784</b>	<b>32785</b>	<b>32786</b>			
Drive function	Linear unit							<b>SLM</b>	SLM
Size [mm]	12	16	20	25	32	40		-...	
Stroke [mm]	10 ... 500		10 ... 800		10 ... 1500			-...	
Guide	Via ball bearings							<b>-KF</b>	-KF
Position sensing	For proximity sensing							<b>-A</b>	-A
Standard unit	Package solution S = G-CV-CH-PV-PH							<b>-S</b>	-S

- M** Mandatory data
- O** Options

Transfer order code

# Linear drives SLM, with guided slide

Accessories

**Shock absorber kit  
SLZ-...-YSR-C, self-adjusting**  
(order code CV, CH)

Material:  
YSR-8-8-C: Nickel-plated brass  
YSR-12-12-C, YSR-16-20-C:  
Galvanised steel  
Free of copper and PTFE



Ordering data			
For Ø [mm]	Including shock absorber Technical data → Internet: ysyr	Part No.	Type
12, 16	YSR-8-8-C	115315	SLZ-16-YSR-C
20, 25	YSR-12-12-C	115316	SLZ-25-YSR-C
32, 40	YSR-16-20-C	115317	SLZ-32-YSR-C

**Shock absorber kit  
SLZ-...-KF-A, adjustable**  
(order code YV, YH)

Material:  
Galvanised steel



Ordering data			
For Ø [mm]	Including shock absorber Technical data → Internet: dysr	Part No.	Type
20, 25	DYSR-12-12-Y5	114032	SLZ-25-KF-A
32, 40	DYSR-16-20-Y5	114033	SLZ-32-KF-A

**Switching stop SL-...-SIE-PS**  
(order code PV, PH)  
Kit with inductive proximity sensor  
PNP

**Switching stop SL-...-SIE-NS**  
(order code NV, NH)  
Kit with inductive proximity sensor  
NPN

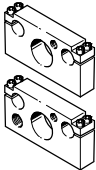
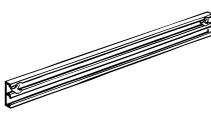




Ordering data				
For Ø [mm]	Switch output	Including proximity sensor Technical data → Internet: sien	Part No.	Type
12, 16	PNP	SIEN-4B-PS-K-L	116251	SL-10/16-SIE-PS
	NPN	SIEN-4B-NS-K-L	116252	SL-10/16-SIE-NS
20, 25	PNP	SIEN-4B-PS-K-L	116253	SL-20/25-SIE-PS
	NPN	SIEN-4B-NS-K-L	116254	SL-20/25-SIE-NS
32, 40	PNP	SIEN-6,5B-PS-K-L	117525	SL-32/50-SIE-PS
	NPN	SIEN-6,5B-NS-K-L	117526	SL-32/50-SIE-NS

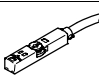
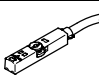
# Linear drives SLM, with guided slide

Accessories

**FESTO**

Ordering data – Accessories						
	For Ø [mm]	Material	Order code	Part No.	Type	PU <sup>1)</sup>
<b>Stop plate SLM-...-KF-A</b>						
	12	Wrought aluminium alloy	HV, HH	<b>119527</b>	<b>SLM-12-...-KF-A</b>	1
	16			<b>119528</b>	<b>SLM-16-...-KF-A</b>	1
	20			<b>119529</b>	<b>SLM-20-...-KF-A</b>	1
	25			<b>119530</b>	<b>SLM-25-...-KF-A</b>	1
	32			<b>119531</b>	<b>SLM-32-...-KF-A</b>	1
	32			<b>119531</b>	<b>SLM-32-...-KF-A</b>	1
	40			<b>119532</b>	<b>SLM-40-...-KF-A</b>	1
<b>Mounting rail SLZS/SLMS for proximity sensor</b>						
	12	Wrought aluminium alloy	E	<b>150916</b>	<b>SLZS-16-...-...</b>	1
	16			<b>152744</b>	<b>SLMS-16-...-...</b>	1
	20			<b>150917</b>	<b>SLZS-25-...-...</b>	1
	25			<b>152745</b>	<b>SLMS-25-...-...</b>	1
	32			<b>150918</b>	<b>SLZS-32-...-...</b>	1
	32			<b>150918</b>	<b>SLZS-32-...-...</b>	1
	40			<b>150919</b>	<b>SLZS-40-...-...</b>	1
<b>Slot nut NST</b> <span style="float: right;">Technical data → Internet: nst</span>						
	12 ... 25	Non-alloyed tempered steel	I	<b>150914</b>	<b>NST-5-M5</b>	1
	32, 40	Free of copper and PTFE		<b>150915</b>	<b>NST-8-M6</b>	1
<b>Centring sleeve ZBH</b> <span style="float: right;">Technical data → Internet: zbh</span>						
	16 ... 40	Stainless steel Free of copper and PTFE	–	<b>150927</b>	<b>ZBH-9</b>	10

1) Packaging unit quantity

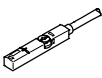

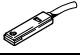
Ordering data – Proximity sensors for T-slot, magneto-resistive						Technical data → Internet: smt
	Type of mounting	Switch output	Electrical connection	Cable length [m]	Part No.	Type
<b>N/O contact</b>						
	Insertable in the slot from above, flush with cylinder profile, short design	PNP	Cable, 3-wire	2.5	<b>574335</b>	<b>SMT-8M-A-PS-24V-E-2,5-OE</b>
			Plug M8x1, 3-pin	0.3	<b>574334</b>	<b>SMT-8M-A-PS-24V-E-0,3-M8D</b>
			Plug M12x1, 3-pin	0.3	<b>574337</b>	<b>SMT-8M-A-PS-24V-E-0,3-M12</b>
		NPN	Cable, 3-wire	2.5	<b>574338</b>	<b>SMT-8M-A-NS-24V-E-2,5-OE</b>
Plug M8x1, 3-pin	0.3		<b>574339</b>	<b>SMT-8M-A-NS-24V-E-0,3-M8D</b>		
<b>N/C contact</b>						
	Insertable in the slot from above, flush with cylinder profile, short design	PNP	Cable, 3-wire	7.5	<b>574340</b>	<b>SMT-8M-A-PO-24V-E-7,5-OE</b>





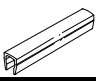
# Linear drives SLM, with guided slide


Accessories

**FESTO**

Ordering data – Proximity sensors for T-slot, magnetic reed						Technical data → Internet: smt	
	Type of mounting	Switch output	Electrical connection	Cable length [m]	Part No.	Type	
<b>N/O contact</b>							
	Insertable in the slot from above, flush with cylinder profile	Contacting	Cable, 3-wire	2.5	<b>543862</b>	<b>SME-8M-DS-24V-K-2,5-OE</b>	
				5.0	<b>543863</b>	<b>SME-8M-DS-24V-K-5,0-OE</b>	
			Plug M8x1, 3-pin	2.5	<b>543872</b>	<b>SME-8M-ZS-24V-K-2,5-OE</b>	
				0.3	<b>543861</b>	<b>SME-8M-DS-24V-K-0,3-M8D</b>	
	Insertable in the slot lengthwise, flush with the cylinder profile	Contacting	Cable, 3-wire	2.5	<b>150855</b>	<b>SME-8-K-LED-24</b>	
				0.3	<b>150857</b>	<b>SME-8-S-LED-24</b>	
<b>N/C contact</b>							
	Insertable in the slot lengthwise, flush with the cylinder profile	Contacting	Cable, 3-wire	7.5	<b>160251</b>	<b>SME-8-O-K-LED-24</b>	

Ordering data – Connecting cables					Technical data → Internet: nebu	
	Electrical connection, left	Electrical connection, right	Cable length [m]	Part No.	Type	
	Straight socket, M8x1, 3-pin	Cable, open end, 3-wire	2.5	<b>541333</b>	<b>NEBU-M8G3-K-2.5-LE3</b>	
			5	<b>541334</b>	<b>NEBU-M8G3-K-5-LE3</b>	
	Straight socket, M12x1, 5-pin	Cable, open end, 3-wire	2.5	<b>541363</b>	<b>NEBU-M12G5-K-2.5-LE3</b>	
			5	<b>541364</b>	<b>NEBU-M12G5-K-5-LE3</b>	
	Angled socket, M8x1, 3-pin	Cable, open end, 3-wire	2.5	<b>541338</b>	<b>NEBU-M8W3-K-2.5-LE3</b>	
			5	<b>541341</b>	<b>NEBU-M8W3-K-5-LE3</b>	
	Angled socket, M12x1, 5-pin	Cable, open end, 3-wire	2.5	<b>541367</b>	<b>NEBU-M12W5-K-2.5-LE3</b>	
			5	<b>541370</b>	<b>NEBU-M12W5-K-5-LE3</b>	

Ordering data – Slot cover for T-slot				
	Mounting	Length [m]	Part No.	Type
	Insertable from above	2x 0.5	<b>151680</b>	<b>ABP-5-S</b>

Ordering data – One-way flow control valves				Technical data → Internet: grla	
	Connection		Material	Part No.	Type
	Thread	For tubing OD			
	M5	3	Metal design	<b>193137</b>	<b>GRLA-M5-QS-3-D</b>
		4		<b>193138</b>	<b>GRLA-M5-QS-4-D</b>
		6		<b>193139</b>	<b>GRLA-M5-QS-6-D</b>
	G1/8	3		<b>193142</b>	<b>GRLA-1/8-QS-3-D</b>
		4		<b>193143</b>	<b>GRLA-1/8-QS-4-D</b>
		6		<b>193144</b>	<b>GRLA-1/8-QS-6-D</b>
		8		<b>193145</b>	<b>GRLA-1/8-QS-8-D</b>
	G1/4	6		<b>193146</b>	<b>GRLA-1/4-QS-6-D</b>
		8		<b>193147</b>	<b>GRLA-1/4-QS-8-D</b>
		10		<b>193148</b>	<b>GRLA-1/4-QS-10-D</b>

# Festo - Your Partner in Automation



**1 Festo Inc.**  
5300 Explorer Drive  
Mississauga, ON L4W 5G4  
Canada

**Festo Customer Interaction Center**  
Tel: 1 877 463 3786  
Fax: 1 877 393 3786  
Email: [customer.service.ca@festo.com](mailto:customer.service.ca@festo.com)

**2 Festo Pneumatic**  
Av. Ceylán 3,  
Col. Tequesquináhuac  
54020 Tlalnepantla,  
Estado de México

**Multinational Contact Center**  
01 800 337 8669  
[ventas.mexico@festo.com](mailto:ventas.mexico@festo.com)

**3 Festo Corporation**  
1377 Motor Parkway  
Suite 310  
Islandia, NY 11749

**Festo Customer Interaction Center**  
1 800 993 3786  
1 800 963 3786  
[customer.service.us@festo.com](mailto:customer.service.us@festo.com)

**4 Regional Service Center**  
7777 Columbia Road  
Mason, OH 45040

Connect with us



[www.festo.com/socialmedia](http://www.festo.com/socialmedia)



[www.festo.com](http://www.festo.com)

Subject to change