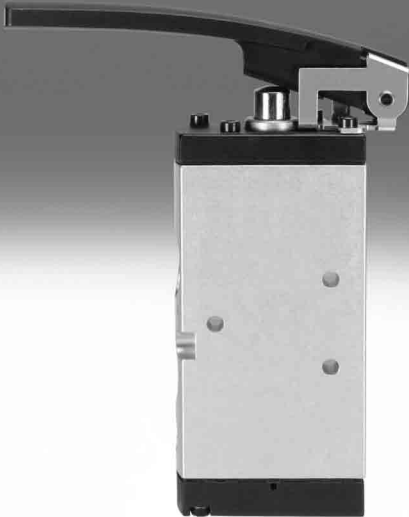


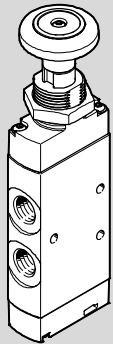
Manually operated valves VHEF



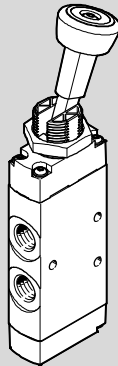
Manually operated valves VHEF

Key features

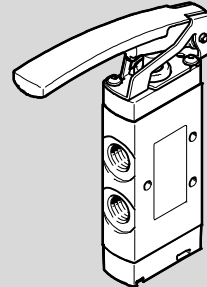
FESTO



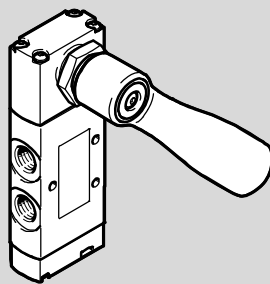
Pushbutton valve



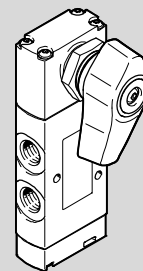
Toggle lever valve



Finger lever valve



Hand lever valve



Selector valve

Innovative

- Small and compact for a wide range of pneumatic applications
- Numerous selectable valve functions: 3/2-way and 5/2-way functions
- With flow rates of up to 1200 l/min, valves VHEF offer outstanding pneumatic performance for a wide range of applications
- Light weight
- Minimal actuating forces

Versatile

- Flexibility of the pneumatic working lines provides a practical solution to different requirements
- The 3/2-way valve be used as normally closed (NC) or normally open (NO)
- Round silencer or ducted exhaust air
- Suitable for vacuum
- Reverse operation possible
- Pressure range from vacuum to 10 bar possible
- Version:
 - Pushbutton valve
 - Toggle lever valve
 - Finger lever valve
 - Hand lever valve
 - Selector valve

Reliable

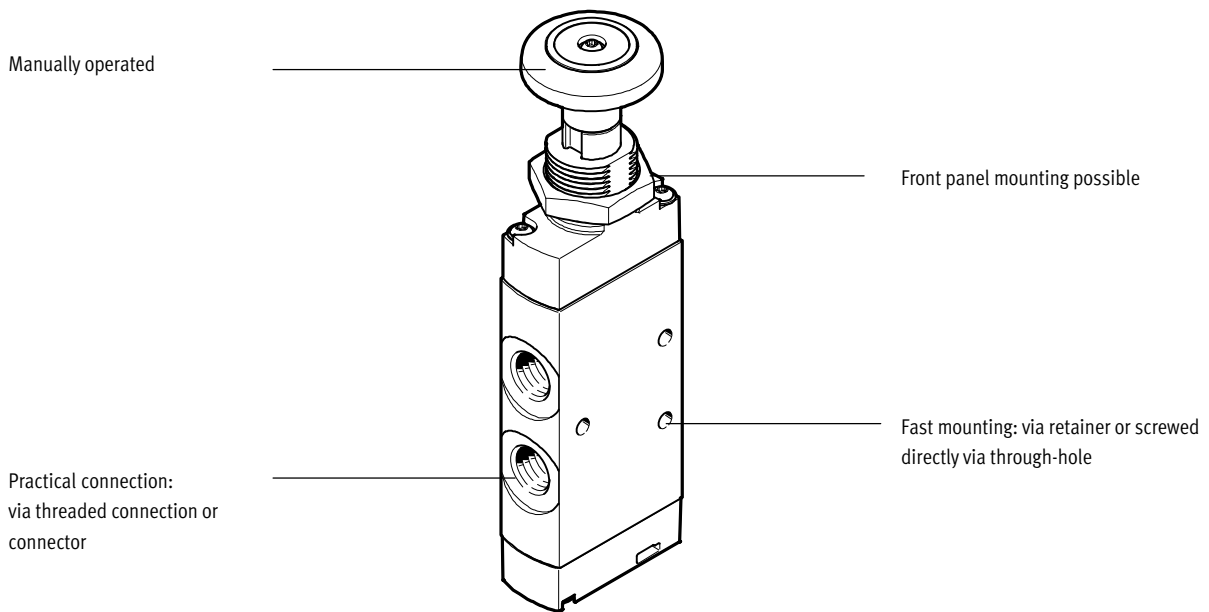
- Durable thanks to tried and tested piston spool and disc seat valves
- Robust construction: basic valve made from metal, cover made from plastic

Easy to install

- Mounted using mounting holes
- Front-panel mounting possible for nearly all valves (not possible for finger lever valve)

Manually operated valves VHEF

Key features



Equipment options

Similarities

- Mechanical spring
- Vacuum operation possible
- Reversible
- Directly actuated
- Ducted exhaust air

Differences

3/2-way valve, monostable (M32)	bistable (B32) detenting (bistable)		
<ul style="list-style-type: none"> • Normally open/closed (NO, NC) • Non-detenting (monostable) 			
5/2-way valve, monostable (M52)	bistable (B52) detenting (bistable)		
<ul style="list-style-type: none"> • Resetting • Non-detenting (monostable) 			
5/3-way valve, detenting (B53C) mid-position closed	detenting (B53E) mid-position exhausted	non-detenting (P53C) mid-position closed	non-detenting (P53E) mid-position exhausted

Valve selection

→ Internet: www.festo.com

You can order mechanically and manually operated directional control valves using the order code:

Ordering system for valves
→ Internet: vhef

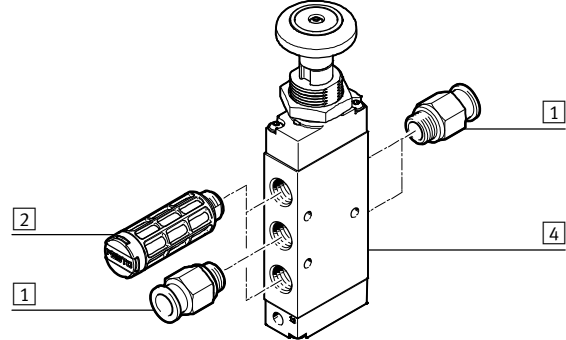
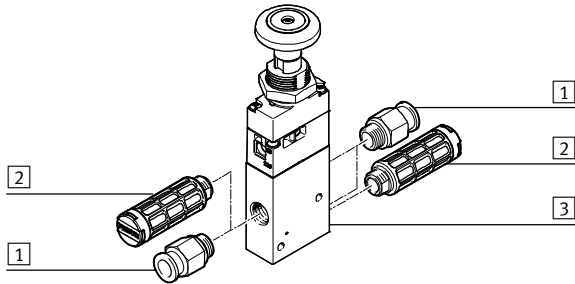
Manually operated valves VHEF

Peripherals overview

Pushbutton valve, manually operated

3/2-way valve

5/2-way valve

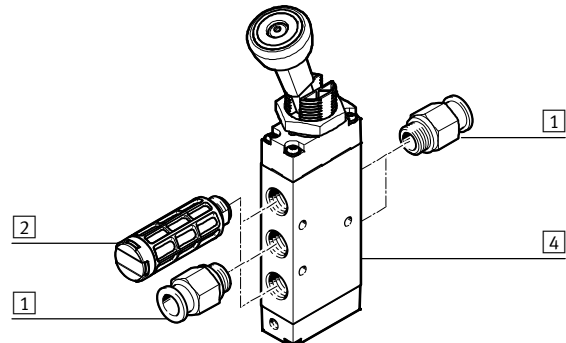
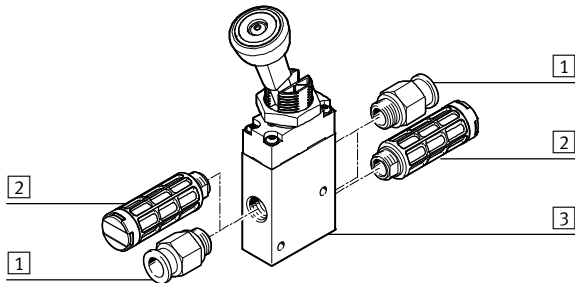


	Brief description	→ Page/Internet	
1	Fitting	For supply air/exhaust ports (1, 3, 5) and working ports (2, 4)	39
2	Silencers	For exhaust ports (3, 5)	39
3	3/2-way valve	VHEF-PTC-M32..., VHEF-PTCZ-M32...	11
4	5/2-way valve	VHEF-P-M52...	11

Toggle lever valve, manually operated

3/2-way valve

5/2-way valve



	Brief description	→ Page/Internet	
1	Fitting	For supply air/exhaust ports (1, 3, 5) and working ports (2, 4)	39
2	Silencers	For exhaust ports (3, 5)	39
3	3/2-way valve	VHEF-VT-M32..., VHEF-VT-B32...	18
4	5/2-way valve	VHEF-V-M52..., VHEF-V-B52...	18

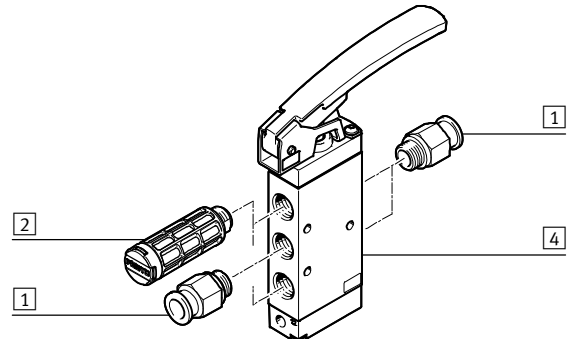
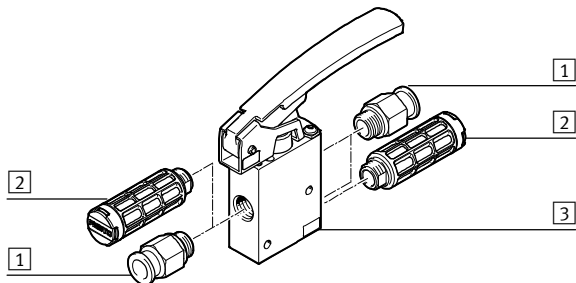
Manually operated valves VHEF

Peripherals overview

Finger lever valve, manually operated

3/2-way valve

5/2-way valve

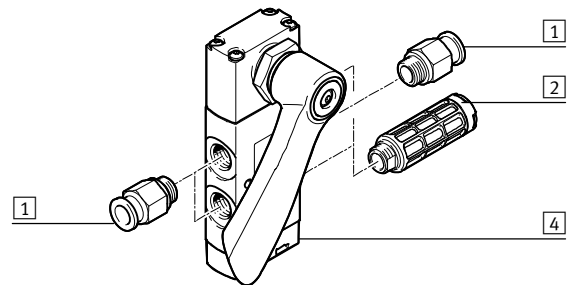
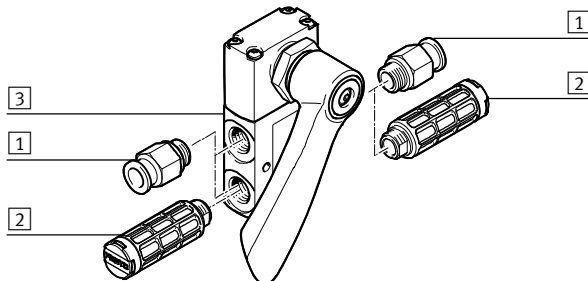


	Brief description	→ Page/Internet
1	Fitting For supply air/exhaust ports (1, 3, 5) and working ports (2, 4)	39
2	Silencers For exhaust ports (3, 5)	39
3	3/2-way valve VHEF-LT-M32...	24
4	5/2-way valve VHEF-L-M52...	24

Hand lever valve, manually operated

3/2-way valve

5/2-way valve, 5/3-way valve



	Brief description	→ Page/Internet
1	Fitting For supply air/exhaust ports (1, 3, 5) and working ports (2, 4)	39
2	Silencers For exhaust ports (3, 5)	39
3	3/2-way valve VHEF-HST...32...	29
4	5/2- or 5/3-way valve VHEF-HS...52..., VHEF-HS...53...	29

Manually operated valves VHEF

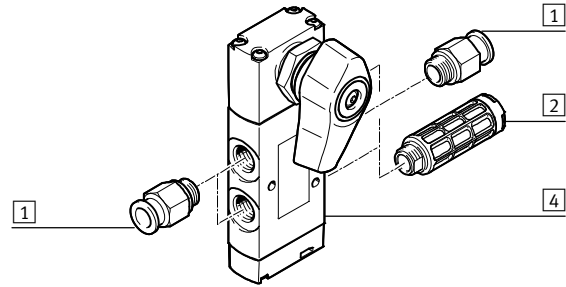
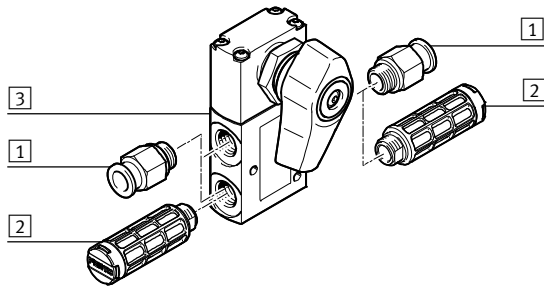
Peripherals overview

FESTO

Selector valve, manually operated

3/2-way valve

5/2-way valve, 5/3-way valve



	Brief description	→ Page/Internet
1	Fitting For supply air/exhaust ports (1, 3, 5) and working ports (2, 4)	39
2	Silencers For exhaust ports (3, 5)	39
3	3/2-way valve VHEF-EST...32...	34
4	5/2- or 5/3-way valve VHEF-ES...52..., VHEF-ES...53...	34

Manually operated valves VHEF

Key features

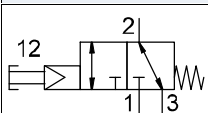
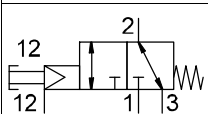
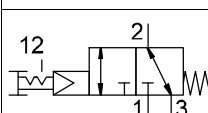
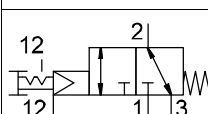
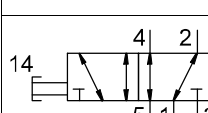
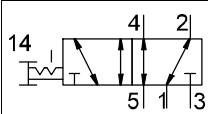
Manually operated valves

Manually operated valves are used in all industrial sectors, as well as in the skilled trades.

They are used to carry out simple processes such as clamping or closing safety doors.

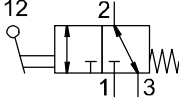
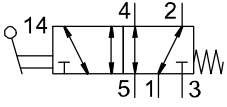
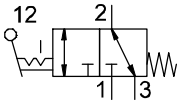
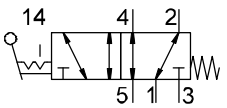
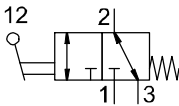
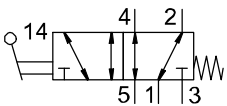
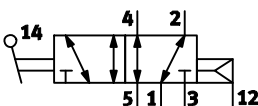
Depending on the required actuation (pushing, rotating/swivelling or tilting), the valves are either resetting

or non-resetting. The valves are directly actuated.

Valve functions		
Circuit symbol	Type	Description
Pushbutton valve		
	VHEF-PTC-M32-M...	3/2-way valve, monostable <ul style="list-style-type: none"> • Normally closed (1 → 2) • Normally open (3 → 2) • Reset via mechanical spring • Pneumatically piloted, pilot air, internal • Reversible
	VHEF-PTCZ-M32-M...	3/2-way valve, monostable <ul style="list-style-type: none"> • Normally closed (1 → 2) • Normally open (3 → 2) • Reset via mechanical spring • Suitable for vacuum • Pneumatically piloted, pilot air, internal • Reversible
	VHEF-PTC-B32...	3/2-way valve, bistable <ul style="list-style-type: none"> • Normally closed (1 → 2) • Normally open (3 → 2) • Reset via mechanical spring • Pneumatically piloted, pilot air, internal • Reversible
	VHEF-PTCZ-B32...	3/2-way valve, bistable <ul style="list-style-type: none"> • Normally closed (1 → 2) • Normally open (3 → 2) • Reset via mechanical spring • Suitable for vacuum • Pneumatically piloted, pilot air, internal • Reversible
	VHEF-P-M52-M...	5/2-way valve, monostable <ul style="list-style-type: none"> • Reset via mechanical spring • Suitable for vacuum • Reversible
	VHEF-P-B52...	5/2-way valve, bistable <ul style="list-style-type: none"> • Suitable for vacuum • Reversible

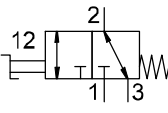
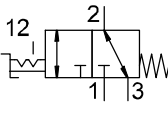
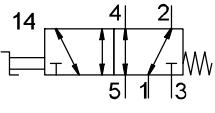
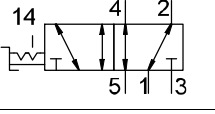
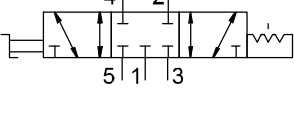
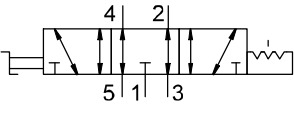
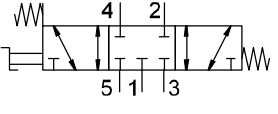
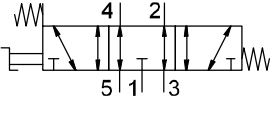
Manually operated valves VHEF


Key features

Valve functions		
Circuit symbol	Type	Description
Toggle lever valve		
	VHEF-VT-M32-M-...	3/2-way valve, monostable <ul style="list-style-type: none"> • Normally closed (1 → 2) • Normally open (3 → 2) • Reset via mechanical spring • Pneumatically piloted, pilot air, internal • Suitable for vacuum • Reversible
	VHEF-V-M52-M-...	5/2-way valve, monostable <ul style="list-style-type: none"> • Reset via mechanical spring • Suitable for vacuum • Reversible
	VHEF-VT-B32-...	3/2-way valve, bistable <ul style="list-style-type: none"> • Normally closed (1 → 2) • Normally open (3 → 2) • Reset via mechanical spring • Pneumatically piloted, pilot air, internal • Suitable for vacuum • Reversible
	VHEF-V-B52-...	5/2-way valve, bistable <ul style="list-style-type: none"> • Reset via mechanical spring • Suitable for vacuum • Reversible
Finger lever valve		
	VHEF-LT-M32-M-...	3/2-way valve, monostable <ul style="list-style-type: none"> • Normally closed (1 → 2) • Normally open (3 → 2) • Reset via mechanical spring • Pneumatically piloted, pilot air, internal • Suitable for vacuum • Reversible
	VHEF-L-M52-M-...	5/2-way valve, monostable <ul style="list-style-type: none"> • Reset via mechanical spring • Suitable for vacuum • Reversible
	VHEF-L-M52-E-...	5/2-way valve, monostable <ul style="list-style-type: none"> • Reset via pneumatic spring • Suitable for vacuum • Reversible

Manually operated valves VHEF

Key features

Valve functions		
Circuit symbol	Type	Description
Hand lever valve, selector valve		
	VHEF-HST-M32-M... VHEF-EST-M32-M...	3/2-way valve, monostable <ul style="list-style-type: none"> • Normally closed (1 → 2) • Normally open (3 → 2) • Reset via mechanical spring • Suitable for vacuum • Reversible
	VHEF-HST-B32-... VHEF-EST-B32-...	3/2-way valve, bistable <ul style="list-style-type: none"> • Normally closed (1 → 2) • Normally open (3 → 2) • Reset via mechanical spring • Suitable for vacuum • Reversible
	VHEF-HS-M52-M... VHEF-ES-M52-M...	5/2-way valve, monostable <ul style="list-style-type: none"> • Reset via mechanical spring • Suitable for vacuum • Reversible
	VHEF-HS-B52-... VHEF-ES-B52-...	5/2-way valve, bistable <ul style="list-style-type: none"> • Suitable for vacuum • Reversible
	VHEF-HS-B53C-... VHEF-ES-B53C-...	5/3-way valve <ul style="list-style-type: none"> • Mid-position closed • Suitable for vacuum • Reversible
	VHEF-HS-B53E-... VHEF-ES-B53E-...	5/3-way valve <ul style="list-style-type: none"> • Mid-position open (exhausted) • Suitable for vacuum • Reversible
	VHEF-HS-P53C-M-... VHEF-ES-P53C-M-...	5/3-way valve <ul style="list-style-type: none"> • Mid-position closed • Reset via mechanical spring • Suitable for vacuum • Reversible
	VHEF-HS-P53E-M-... VHEF-ES-P53E-M-...	5/3-way valve <ul style="list-style-type: none"> • Mid-position open (exhausted) • Reset via mechanical spring • Suitable for vacuum • Reversible

-  - Note
 A filter must be installed upstream of valves operated in vacuum mode. This prevents any foreign matter in the intake air getting into the valve (e.g. when operating a suction cup).




Manually actuated valves VHEF

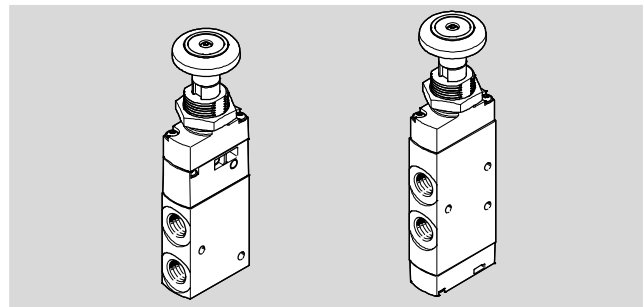
Type codes

		VHEF	-	P	T	C	Z	-	M32	-	M	-	G14
Valve series													
VHEF	Manually actuated valves												
Version													
Actuation													
L	Finger lever												
P	Pushbutton												
V	Toggle lever												
ES	Selector switch, on the side												
HS	Hand lever, on the side												
Design principle													
-	Piston slide												
T	Disc seat												
Type of control													
-	Directly actuated												
C	Indirectly actuated												
Pilot air													
-	Internal												
Z	External												
Valve function													
B32	3/2-way valve, detenting												
B52	5/2-way valve, detenting												
M32	3/2-way valve, monostable, normally closed or open												
M52	5/2-way valve, monostable, resetting												
B53C	5/3-way valve, detenting, mid-position closed												
B53E	5/3-way valve, detenting, mid-position exhausted												
P53C	5/3-way valve, mid-position closed												
P53E	5/3-way valve, mid-position exhausted												
Reset method for monostable valves													
-	None (for bistable valves)												
E	Pneumatic spring												
M	Mechanical spring												
Pneumatic connection													
G14	Thread G1/4												
G18	Thread G1/8												
N14	Thread 1/4 NPT												
N18	Thread 1/8 NPT												

Manually actuated valves VHEF

Technical data – Pushbutton valve

-  Flow rate
750 ... 1200 l/min
-  Pressure
-0.95 ... 10 bar
-  Temperature range
-10 ... +60 °C



General technical data	
Design	Pushbutton valve
Width [mm]	20
Note regarding use	Actuate manually only
Actuation type	Manual
Type of mounting	Via through-hole or front panel using retaining nut
Sealing principle	Soft
Flow direction	Reversible
Exhaust air function	With flow control option
Mounting position	Any
Max. switching frequency [Hz]	0.5

Technical data – 3/2-way valve					
Type	VHEF-...-B32...18	VHEF-...-B32...14	VHEF-...-M32...18	VHEF-...-M32...14	
Version	Disc seat valve				
Standard nominal flow rate	1 → 2 [l/min]	750	870	750	870
	3 → 2 [l/min]	665	750	665	750
Valve function	3/2-way valve, bistable		3/2-way valve, open/closed, monostable		
Overlap	Zero overlap		Zero overlap		
Reset method	–		Mechanical spring		
Type of control	Piloted		Piloted		
Pilot air supply	Internal, external only PTCZ types		Internal, external only PTCZ types		
Manual override	Detenting		–		
Actuating force at 6 bar [N]	20	20	24.5	24.5	
Unlocking force at 6 bar [N]	25	25	–	–	
Pneumatic connection G thread 1, 2, 3	G1/8	G1/4	G1/8	G1/4	
Pneumatic connection NPT thread 1, 2, 3	1/8 NPT	1/4 NPT	1/8 NPT	1/4 NPT	
Pilot air port 12	–	–	M5 ¹⁾	M5 ¹⁾	
Nominal width [mm]	5.6	6	5.6	6	

1) Only for PTCZ types (external pilot air)

 **Note**

- An axial torque greater than 3 Nm on the pushbutton is to be avoided. This could overload it and cause it to break.
- It must be ensured that the max. operating force exerted on the pushbutton does not exceed 200 N in all directions. This could overload it and cause it to break.

Manually actuated valves VHEF

Technical data – Pushbutton valve

Technical data – 5/2-way valve					
Type	VHEF-P-B52-...18	VHEF-P-B52-...14	VHEF-P-M52-M-...18	VHEF-P-M52-M-...14	
Version	Piston slide				
Standard nominal flow rate	1 → 2 [l/min]	750	1200	750	1200
Valve function	5/2-way valve, bistable		5/2-way valve, monostable		
Overlap	Overlap		Overlap		
Reset method	–		Mechanical spring		
Type of control	Direct		Direct		
Manual override	Detenting		–		
Actuating force at 6 bar	[N]	20	42		
Unlocking force at 6 bar	[N]	35	–		
Pneumatic connection					
G thread 1, 2, 3, 4, 5	G1/8	G1/4	G1/8	G1/4	
Pneumatic connection					
NPT thread 1, 2, 3, 4, 5	1/8 NPT	1/4 NPT	1/8 NPT	1/4 NPT	
Nominal width	[mm]	5.2	7	5.2	7

 - Note

- An axial torque greater than 3 Nm on the pushbutton is to be avoided. This could overload it and cause it to break.
- It must be ensured that the max. operating force exerted on the pushbutton does not exceed 200 N in all directions. This could overload it and cause it to break.

Materials	
Housing	Anodised wrought aluminium alloy
Cover	PA-reinforced
Seal	NBR
Note on materials	RoHS-compliant

Manually actuated valves VHEF

Technical data – Pushbutton valve

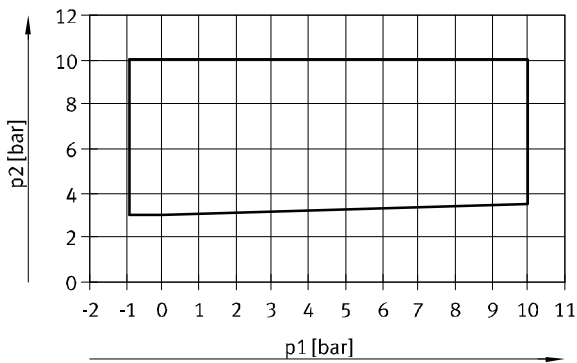
Operating and environmental conditions			
	VHEF-PTC-M32-... VHEF-PTC-B32-...	VHEF-PTCZ-M32-... VHEF-PTCZ-B32-...	VHEF-P-...
Operating medium	Compressed air to ISO 8573-1:2010 [7:-:-]		
Note on operating/ pilot medium	Lubricated operation possible (in which case lubricated operation will always be required)		
Operating pressure range [bar]	3.5 ... 10	-0.95 ... 10	-0.95 ... 10
With internal or external pilot air	Internal	External	-
NC valves [bar]	3.5 ... 10	3 ... 10	-
NO valves [bar]	3.5 ... 10	3 ... 10	-
Operating pressure range [psi]	51 ... 145	-14 ... 145	-14 ... 145
With internal or external pilot air	Internal	External	-
NC valves [psi]	51 ... 145	44 ... 145	-
NO valves [psi]	51 ... 145	44 ... 145	-
Pilot pressure range [bar]	3.5 ... 10	3 ... 10	-
Temperature of medium [°C]	-10 ... +60		
Ambient temperature [°C]	-10 ... +60		
Corrosion resistance class CRC ¹⁾	1		

1) Corrosion resistance class CRC 1 to Festo standard FN 940070

Low corrosion stress. For dry indoor applications or transport and storage protection. Also applies to parts behind covers, in the non-visible interior area, and parts which are covered in the application (e.g. drive trunnions).

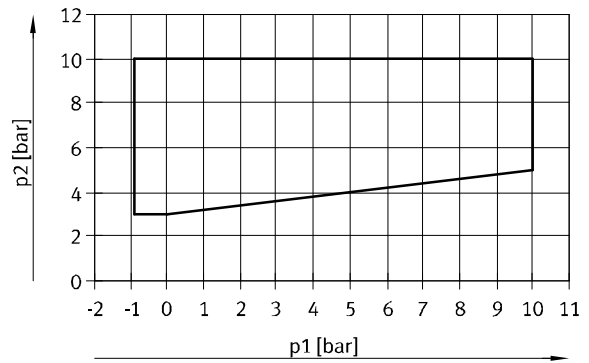
Pilot pressure p2 as a function of working pressure p1

For disc seat valves VMEF-...-M32...
(normally closed, NC)



The framed area shows the operating range for external pilot air.

For disc seat valves VMEF-...-M32...
(normally open, NO)



The framed area shows the operating range for external pilot air.

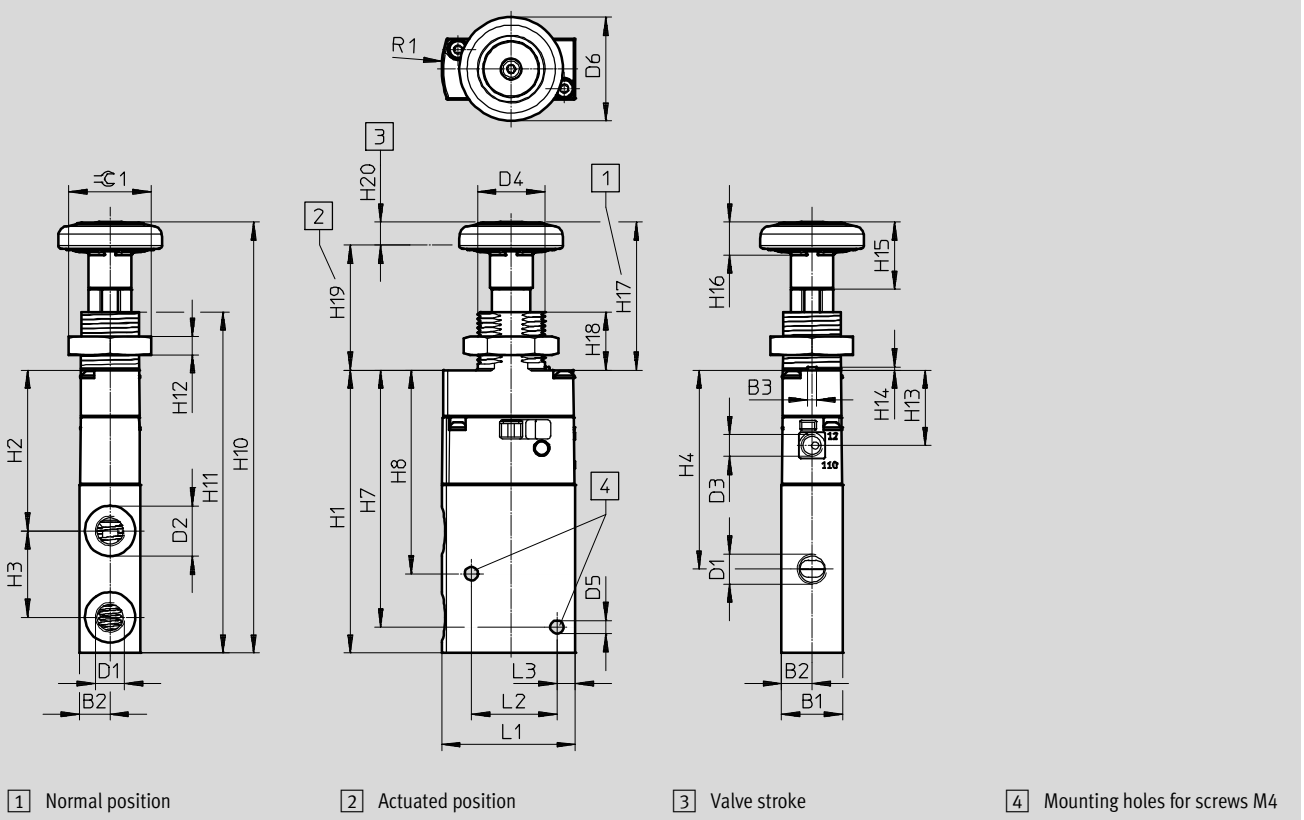
Manually actuated valves VHEF

Technical data – Pushbutton valve

Dimensions

Download CAD data → www.festo.com

3/2-way valve



Type	B1	B2	B3	D1	D2	D3	D4	D5	D6	H1	H2	H3	H4	H7	H8	H10
VHEF-PTC-...32-...-G18	20	10	3.1	G1/8	16.5	-	M22x1.5	4.4	34	92.7	52.7	28.3	65.2	84.2	66.7	141.1
VHEF-PTCZ-...32-...-G18						M5										
VHEF-PTC-...32-...-G14				G1/4	22	-										
VHEF-PTCZ-...32-...-G14						M5										
VHEF-PTC-...32-...-N18				1/8 NPT	16.5	-										
VHEF-PTCZ-...32-...-N18						M5										
VHEF-PTC-...32-...-N14				1/4 NPT	22	-										
VHEF-PTCZ-...32-...-N14						M5										

Type	H11	H12	H13	H14	H15	H16	H17	H18	H19	H20	L1	L2	L3	R1	⌀ 1
VHEF-PTC-...32-...-G18	111.7	6	24.7	1	21.9	10.7	48.4	19	40.9	7.5	43.7	28	6	30	27
VHEF-PTCZ-...32-...-G18															
VHEF-PTC-...32-...-G14															
VHEF-PTCZ-...32-...-G14															
VHEF-PTC-...32-...-N18															
VHEF-PTCZ-...32-...-N18															
VHEF-PTC-...32-...-N14															
VHEF-PTCZ-...32-...-N14															

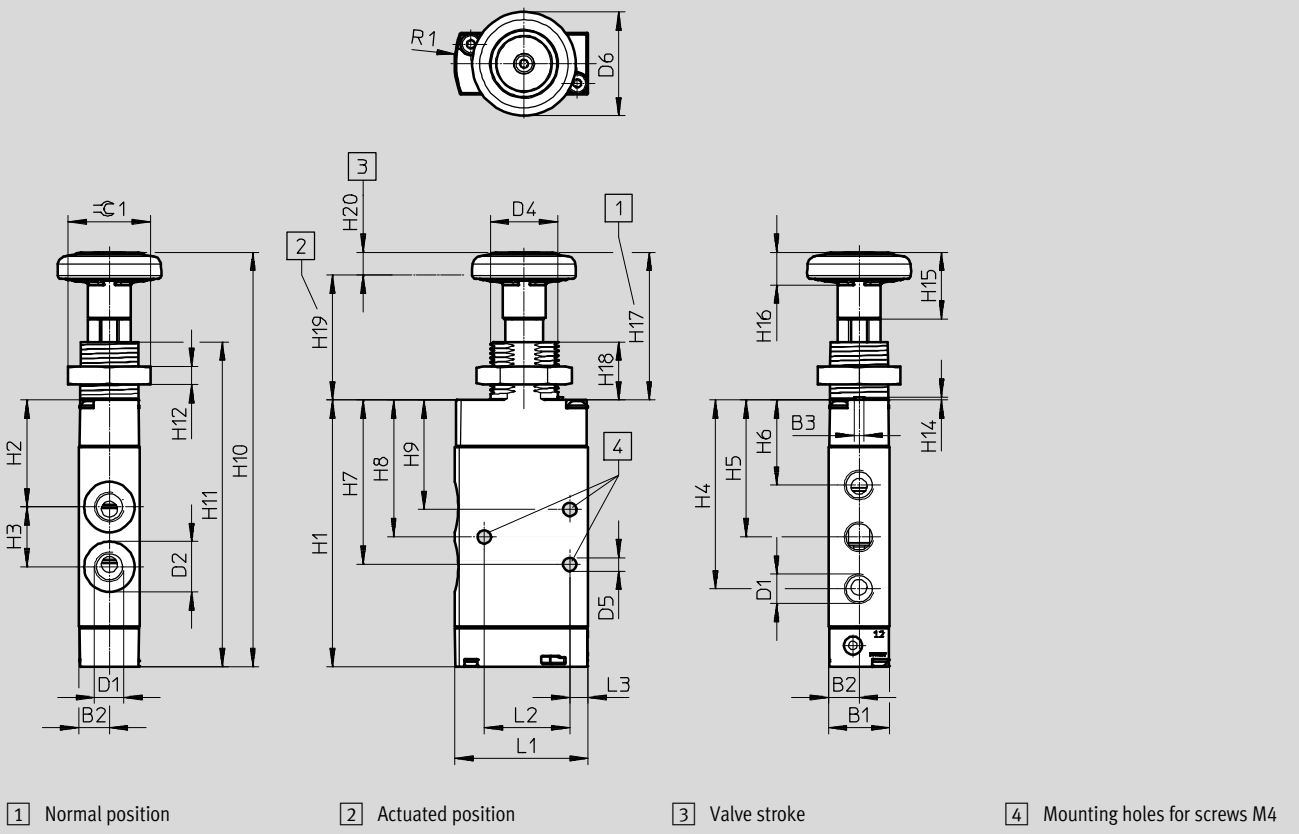
Manually actuated valves VHEF

Technical data – Pushbutton valve

Dimensions

Download CAD data → www.festo.com

5/2-way valve, -G18/-N18



Type	B1	B2	B3	D1	D2 Ø	D4	D5 Ø	D6 Ø	H1	H2	H3	H4	H5	H6	H7	H8
VHEF-P-M52-M-G18	20	10	3.1	G1/8	16.5	M22x1.5	4.4	34	87.4	35.1	19.6	61.9	44.9	27.9	53.9	44.9
VHEF-P-B52-G18				1/8 NPT												
VHEF-P-M52-M-N18																
VHEF-P-B52-N18																

Type	H9	H10	H11	H12	H14	H15	H16	H17	H18	H19	H20	L1	L2	L3	R1	≈ 1
VHEF-P-M52-M-G18	35.9	135.8	106.4	6	1	21.9	10.7	48.4	19	40.9	7.5	43.7	28	6	30	27
VHEF-P-B52-G18																
VHEF-P-M52-M-N18																
VHEF-P-B52-N18																

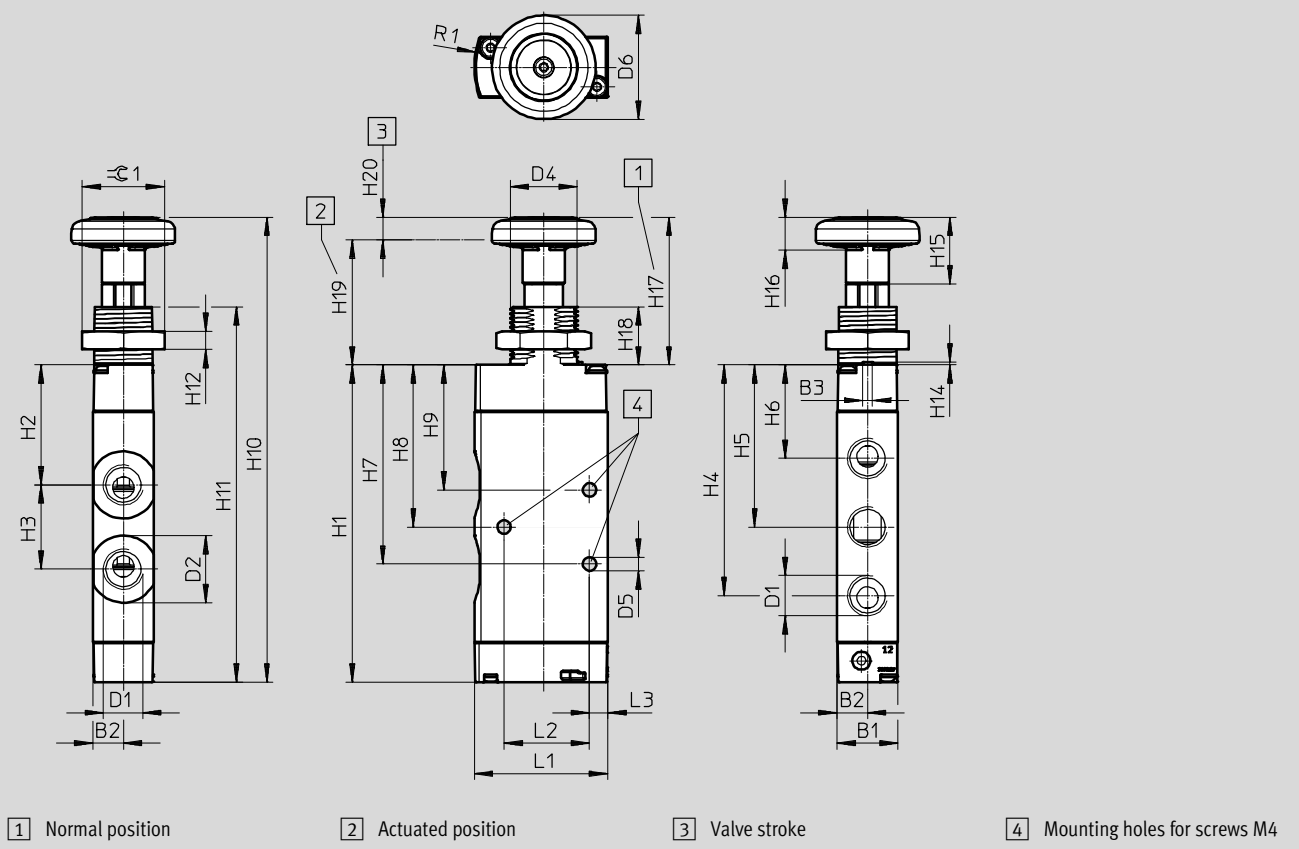
Manually actuated valves VHEF

Technical data – Pushbutton valve

Dimensions

Download CAD data → www.festo.com

5/2-way valve, -G14/-N14



1 Normal position 2 Actuated position 3 Valve stroke 4 Mounting holes for screws M4

Type	B1	B2	B3	D1	D2 ∅	D4	D5 ∅	D6 ∅	H1	H2	H3	H4	H5	H6	H7	H8
VHEF-P-M52-M-G14	20	10	3.1	G1/4	22	M22x1.5	4.4	34	103.9	39.3	27.6	75.6	53.1	30.7	65.3	53.1
VHEF-P-B52-G14				1/4 NPT												
VHEF-P-M52-M-N14																
VHEF-P-B52-N14																

Type	H9	H10	H11	H12	H14	H15	H16	H17	H18	H19	H20	L1	L2	L3	R1	≈∅ 1
VHEF-P-M52-M-G14	41	152.3	122.9	6	1	21.9	10.7	48.4	19	40.9	7.5	43.7	28	6	30	27
VHEF-P-B52-G14																
VHEF-P-M52-M-N14																
VHEF-P-B52-N14																




Manually actuated valves VHEF

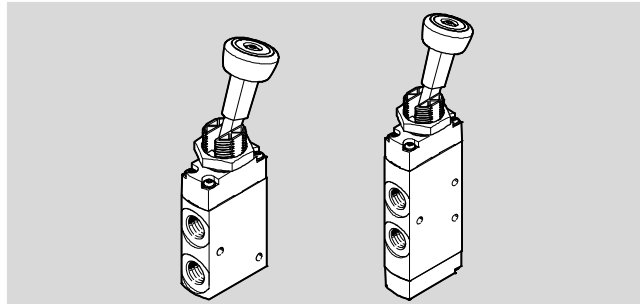
Technical data – Pushbutton valve

Ordering data						
Description	Reset	Nominal flow rate [l/min]	Weight [g]	Part No.	Type	
G thread						
3/2-way valve	–	750	168	5299707	VHEF-PTC-B32-G18	
		870	161	5299713	VHEF-PTC-B32-G14	
	Mechanical	750	168	5299705	VHEF-PTC-M32-M-G18	
		870	161	5299711	VHEF-PTC-M32-M-G14	
	–	750	168	5299708	VHEF-PTCZ-B32-G18	
		870	161	5299714	VHEF-PTCZ-B32-G14	
	Mechanical	750	168	5299706	VHEF-PTCZ-M32-M-G18	
		870	161	5299712	VHEF-PTCZ-M32-M-G14	
	5/2-way valve	–	750	182	5299710	VHEF-P-B52-G18
		Mechanical		182	5299709	VHEF-P-M52-M-G18
–		1200	215	5299716	VHEF-P-B52-G14	
Mechanical			215	5299715	VHEF-P-M52-M-G14	
NPT thread						
3/2-way valve	Mechanical	750	168	5299719	VHEF-PTC-B32-N18	
	–	870	161	5299725	VHEF-PTC-B32-N14	
	Mechanical	750	168	5299717	VHEF-PTC-M32-M-N18	
	Mechanical	870	161	5299723	VHEF-PTC-M32-M-N14	
	–	750	168	5299720	VHEF-PTCZ-B32-N18	
	–	870	161	5299726	VHEF-PTCZ-B32-N14	
	Mechanical	750	168	5299718	VHEF-PTCZ-M32-M-N18	
	Mechanical	870	161	5299724	VHEF-PTCZ-M32-M-N14	
5/2-way valve	–	750	182	5299722	VHEF-P-B52-N18	
	Mechanical		182	5299721	VHEF-P-M52-M-N18	
	–	1200	215	5299728	VHEF-P-B52-N14	
	Mechanical		215	5299727	VHEF-P-M52-M-N14	

Manually actuated valves VHEF

Technical data – Toggle lever valve

-  Flow rate
750 ... 1200 l/min
-  Pressure
-0.95 ... 10 bar
-  Temperature range
-10 ... +60 °C



General technical data	
Design	Toggle lever, top
Width [mm]	20
Note regarding use	Actuate manually only
Actuation type	Manual
Type of mounting	Via through-hole or front panel using retaining nut
Sealing principle	Soft
Flow direction	Reversible
Exhaust air function	With flow control option
Mounting position	Optional
Max. switching frequency [Hz]	0.5

Technical data – 3/2-way valve					
Type		VHEF-VT-B32...18	VHEF-VT-B32...14	VHEF-VT-M32...18	VHEF-VT-M32...14
Version		Disc seat valve			
Standard nominal flow rate	1 → 2 [l/min]	750	870	750	870
	3 → 2 [l/min]	665	750	665	750
Valve function		3/2-way valve, bistable		3/2-way valve, open/closed, monostable	
Overlap		Zero overlap		Zero overlap	
Reset method		–		Mechanical spring	
Type of control		Direct		Direct	
Manual override		Detenting		–	
Actuating torque at 6 bar	[Nm]	1.6	1.6	0.6	0.6
Release torque at 6 bar	[Nm]	0.8	0.8	–	–
Max. force on actuation	[N]	200	200	200	200
Max. transverse force on actuation	[N]	140	140	140	140
Pneumatic connection					
G thread 1, 2, 3		G1/8	G1/4	G1/8	G1/4
NPT thread 1, 2, 3		1/8 NPT	1/4 NPT	1/8 NPT	1/4 NPT
Nominal width	[mm]	5.6	6	5.6	6

Manually actuated valves VHEF

Technical data – Toggle lever valve

Technical data – 5/2-way valve					
Type	VHEF-V-B52-...18	VHEF-V-B52-...14	VHEF-V-M52-M-...18	VHEF-V-M52-M-...14	
Version	Piston slide				
Standard nominal flow rate	1 → 2 [l/min]	750	1200	750	1200
Valve function	5/2-way valve, bistable		5/2-way valve, monostable		
Overlap	Positive overlap		Positive overlap		
Reset method	–		Mechanical spring		
Type of control	Direct		Direct		
Manual override	Detenting		–		
Actuating torque at 6 bar	[Nm]	1.1	1.1	0.6	0.6
Release torque at 6 bar	[Nm]	0.6	0.6	–	–
Max. force on actuation	[N]	200	200	200	200
Max. transverse force on actuation	[N]	140	140	140	140
Pneumatic connection G thread 1, 2, 3, 4, 5		G1/8	G1/4	G1/8	G1/4
Pneumatic connection NPT thread 1, 2, 3, 4, 5		1/8 NPT	1/4 NPT	1/8 NPT	1/4 NPT
Nominal width	[mm]	5.2	7	5.2	7

Materials	
Housing	Anodised wrought aluminium alloy
Cover	Reinforced PA
Lever	Reinforced PA
Seal	NBR
Note on materials	RoHS-compliant

Operating and environmental conditions	
Operating medium	Compressed air to ISO 8573-1:2010 [7:-:-]
Note on operating/pilot medium	Lubricated operation possible (in which case lubricated operation will always be required)
Operating pressure range	[bar] –0.95 ... 10
	[psi] –14 ... 145
Temperature of medium	[°C] –10 ... +60
Ambient temperature	[°C] –10 ... +60
Corrosion resistance class CRC ¹⁾	1

1) Corrosion resistance class CRC 1 to Festo standard FN 940070
Low corrosion stress. For dry indoor applications or transport and storage protection. Also applies to parts behind covers, in the non-visible interior area, and parts which are covered in the application (e.g. drive trunnions).

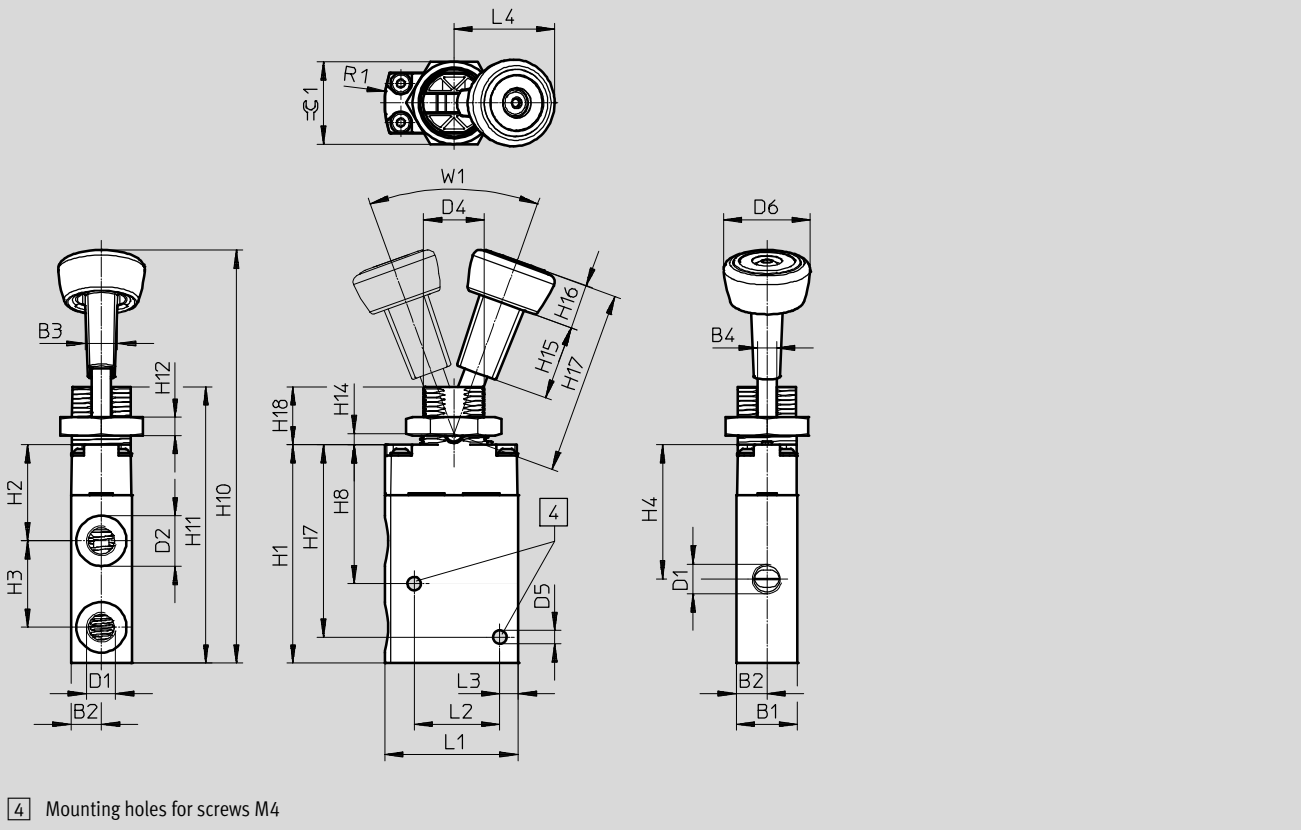
Manually actuated valves VHEF

Technical data – Toggle lever valve

Dimensions

Download CAD data → www.festo.com

3/2-way valve



Type	B1	B2	B3	B4	D1	D2 Ø	D4	D5 Ø	D6 Ø	H1	H2	H3	H4	H7	H8	H10
VHEF-VT...M32...-G18	20	10	10.5	6.3	G1/8	16.5	M22x1.5	4.4	28.4	71.4	31.5	28.3	44	63	45.5	135.2
VHEF-VT...M32...-G14					G1/4	22										
VHEF-VT...M32...-N18					1/8 NPT	16.5										
VHEF-VT...M32...-N14					1/4 NPT	22										
VHEF-VT...B32...-G18					G1/8	16.5										
VHEF-VT...B32...-G14					G1/4	22										
VHEF-VT...B32...-N18					1/8 NPT	16.5										
VHEF-VT...B32...-N14					1/4 NPT	22										

Type	H11	H12	H14	H15	H16	H17	H18	L1	L2	L3	L4	R1	W1	⊖ 1
VHEF-VT...M32...-G18	90.5	6	3.6	24.4	14.6	60	19	43.7	28	6	33	30	40°	27
VHEF-VT...M32...-G14														
VHEF-VT...M32...-N18														
VHEF-VT...M32...-N14														
VHEF-VT...B32...-G18														
VHEF-VT...B32...-G14														
VHEF-VT...B32...-N18														
VHEF-VT...B32...-N14														

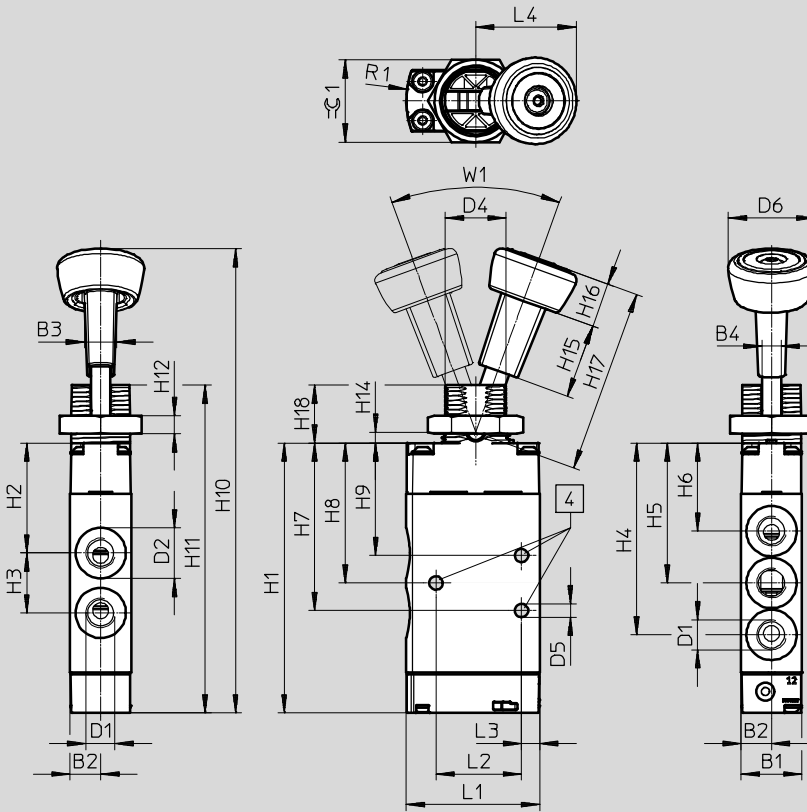
Manually actuated valves VHEF

Technical data – Toggle lever valve

Dimensions

Download CAD data → www.festo.com

5/2-way valve, -G18/-N18



4 Mounting holes for screws M4

Type	B1	B2	B3	B4	D1	D2	D4	D5	D6	H1	H2	H3	H4	H5	H6	H7
VHEF-V-M52-M-G18	20	10	10.5	6.3	G1/8	16.5	M22x1.5	4.4	28.4	88.4	36.1	19.6	62.9	45.9	28.9	54.9
VHEF-V-B52-G18					1/8 NPT											
VHEF-V-M52-M-N18					1/8 NPT											
VHEF-V-B52-N18					1/8 NPT											

Type	H8	H9	H10	H11	H12	H14	H15	H16	H17	H18	L1	L2	L3	L4	R1	W1	≈ 1
VHEF-V-M52-M-G18	45.9	36.9	152.1	107.4	6	3.6	24.4	14.6	60	19	43.7	28	6	33	30	40°	27
VHEF-V-B52-G18																	
VHEF-V-M52-M-N18																	
VHEF-V-B52-N18																	

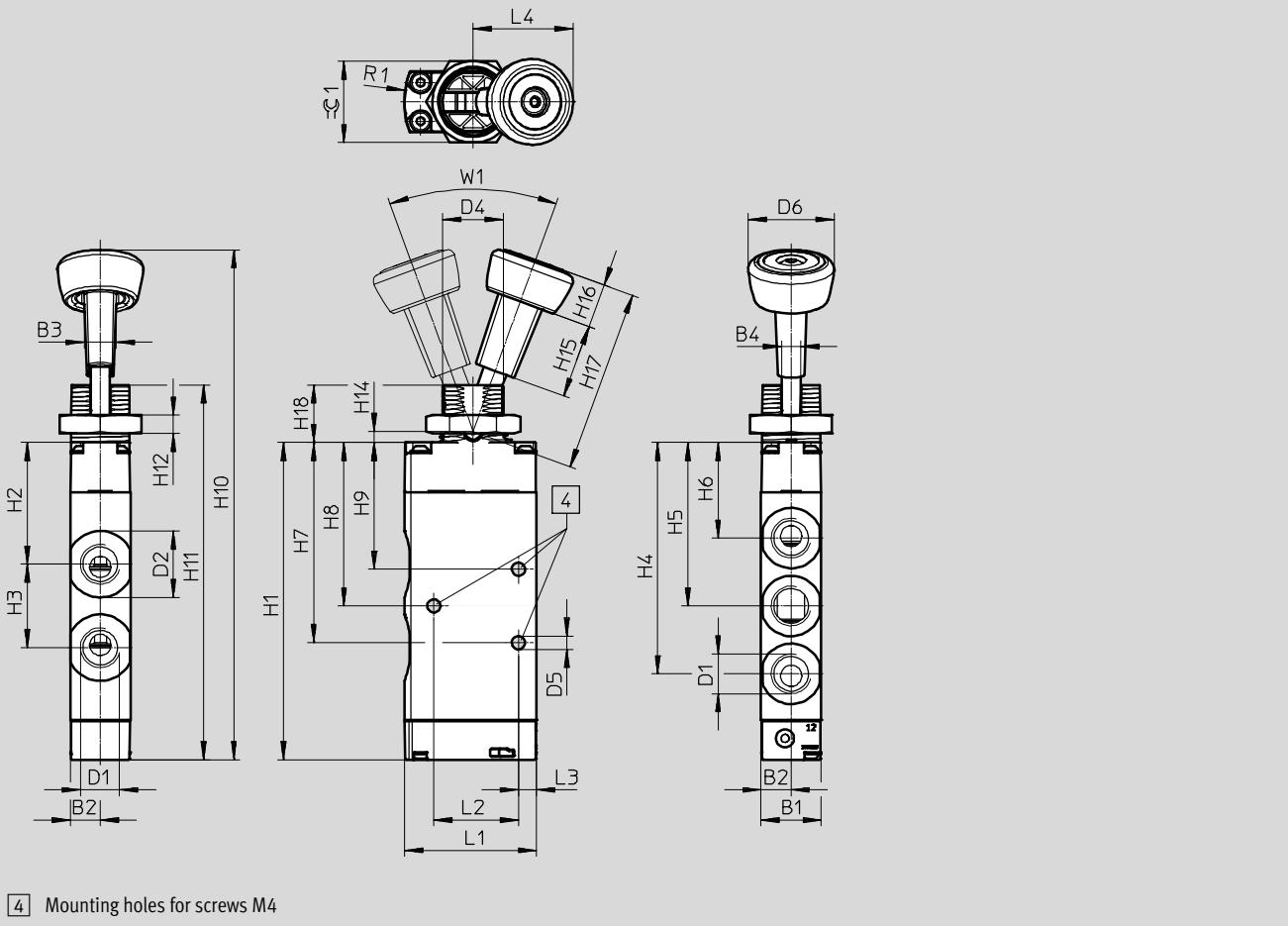
Manually actuated valves VHEF

Technical data – Toggle lever valve

Dimensions

Download CAD data → www.festo.com

5/2-way valve, -G14/-N14



4 Mounting holes for screws M4

Type	B1	B2	B3	D1	D2 Ø	D4	D5 Ø	D6 Ø	H1	H2	H3	H4	H5	H6	H7	H8	
VHEF-V-M52-M-G14	20	10	10.5	G1/4	22	M22x1.5	4.4	28.4	104.9	40.3	27.6	76.6	54.1	31.7	66.3	54.1	
VHEF-V-B52-G14				1/4 NPT													
VHEF-V-M52-M-N14																	
VHEF-V-B52-N14																	

Type	H9	H10	H11	H12	H14	H15	H16	H17	H18	L1	L2	L3	L4	R1	W1	±0.1
VHEF-V-M52-M-G14	42	168.6	123.9	6	3.6	24.4	14.6	60	19	43.7	28	6	33	30	40°	27
VHEF-V-B52-G14																
VHEF-V-M52-M-N14																
VHEF-V-B52-N14																

Manually actuated valves VHEF




Technical data – Toggle lever valve

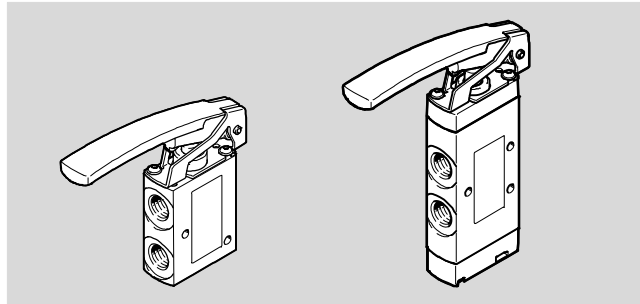
Ordering data					
Description	Reset	Nominal flow rate [l/min]	Weight [g]	Part No.	Type
G thread					
3/2-way valve	–	750	174	5300037	VHEF-VT-B32-G18
		870	181	5300039	VHEF-VT-B32-G14
	Mechanical	750	174	5300036	VHEF-VT-M32-M-G18
		870	181	5300038	VHEF-VT-M32-M-G14
5/2-way valve	–	750	208	5300033	VHEF-V-B52-G18
		1200	240	5300035	VHEF-V-B52-G14
	Mechanical	750	208	5300032	VHEF-V-M52-M-G18
		1200	240	5300034	VHEF-V-M52-M-G14
NPT thread					
3/2-way valve	–	750	174	5300045	VHEF-VT-B32-N18
		870	181	5300047	VHEF-VT-B32-N14
	Mechanical	750	174	5300044	VHEF-VT-M32-M-N18
		870	181	5300046	VHEF-VT-M32-M-N14
5/2-way valve	–	750	208	5300041	VHEF-V-B52-N18
		1200	240	5300043	VHEF-V-B52-N14
	Mechanical	750	208	5300040	VHEF-V-M52-M-N18
		1200	240	5300042	VHEF-V-M52-M-N14

Manually operated valves VHEF

Technical data – Finger lever valve

FESTO

-  Flow rate
750 ... 1200 l/min
-  Pressure
-0.95 ... 10 bar
-  Temperature range
-10 ... +60 °C



General technical data	
Design	Finger lever
Width [mm]	20
Type of control	Directly actuated
Note regarding use	Actuate manually only
Actuation type	Manual
Type of mounting	Via through-hole
Sealing principle	Soft
Flow direction	Reversible
Exhaust air function	With flow control option
Mounting position	Optional
Max. switching frequency [Hz]	0.5

Technical data – 3/2-way valve		
Type	VHEF-LT-M32-M...18	VHEF-LT-M32-M...14
Version	Disc seat valve	
Standard nominal flow rate [l/min] 1 → 2	750	870
Valve function	3/2-way valve, open/closed, monostable	
Overlap	Zero overlap	
Reset method	Mechanical spring	
Actuating force at 6 bar		
• Normally closed [N]	14	14
• Normally open [N]	24	24
Pneumatic connection G thread 1, 2, 3	G1/8	G1/4
Pneumatic connection NPT thread 1, 2, 3	1/8 NPT	1/4 NPT
Nominal size [mm]	5.6	6

Manually operated valves VHEF

Technical data – Finger lever valve

Technical data – 5/2-way valve				
Type	VHEF-L-M52-M...18	VHEF-L-M52-M...14	VHEF-L-M52-E...18	VHEF-L-M52-E...14
Version	Piston slide		Piston slide	
Standard nominal flow rate [l/min] 1 → 2	750	750	750	750
Valve function	5/2-way valve, monostable		5/2-way valve, monostable	
Overlap	Positive overlap		Positive overlap	
Reset method	Mechanical spring		Pneumatic spring	
Actuating force at 6 bar [N]	10	12	8	14
Pneumatic connection G thread 1, 2, 3, 4, 5	G1/8	G1/4	G1/8	G1/4
Pneumatic connection NPT thread 1, 2, 3, 4, 5	1/8 NPT	1/4 NPT	1/8 NPT	1/4 NPT
Nominal size [mm]	5.2	7	5.2	7

Materials	
Housing	Anodised wrought aluminium alloy
Lever	Reinforced PA
Cover	Reinforced PA (VMEF...-M52)
Seal	NBR
Note on materials	RoHS-compliant

Operating and environmental conditions	
Operating medium	Compressed air to ISO 8573-1:2010 [7:-:-]
Note on operating/ pilot medium	Lubricated operation possible (in which case lubricated operation will always be required)
Operating pressure range [bar]	-0.95 ... 10
[psi]	-14 ... 145
Temperature of medium [°C]	-10 ... +60
Ambient temperature [°C]	-10 ... +60
Corrosion resistance class CRC ¹⁾	1

1) Corrosion resistance class CRC 1 to Festo standard FN 940070

Low corrosion stress. For dry indoor applications or transport and storage protection. Also applies to parts behind covers, in the non-visible interior area, and parts which are covered in the application (e.g. drive trunnions).

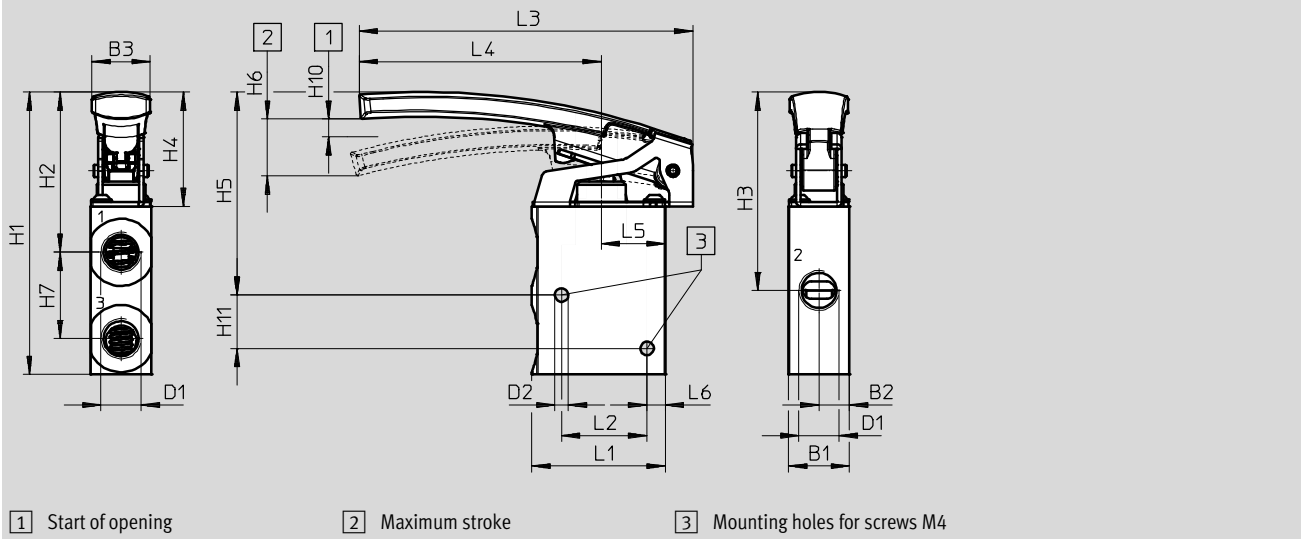
Manually operated valves VHEF

Technical data – Finger lever valve

Dimensions

Download CAD data → www.festo.com

3/2-way valve



Type	B1	B2	B3	D1	D2 ∅	L1	L2	L3	L4	L5
VHEF-LT-M32-M-G14	20	10	19.1	G1/4	4.4	43.7	28	109.3	79.3	21
VHEF-LT-M32-M-N14				1/4 NPT						
VHEF-LT-M32-M-G18				G1/8						
VHEF-LT-M32-M-N18				1/8 NPT						

Type	L6	H1	H2	H3	H4	H5	H6	H7	H10	H11
VHEF-LT-M32-M-G14	6	92.5	52.5	65	37.5	66.5	18.6	28.3	6.3	17.5
VHEF-LT-M32-M-N14										
VHEF-LT-M32-M-G18										
VHEF-LT-M32-M-N18										

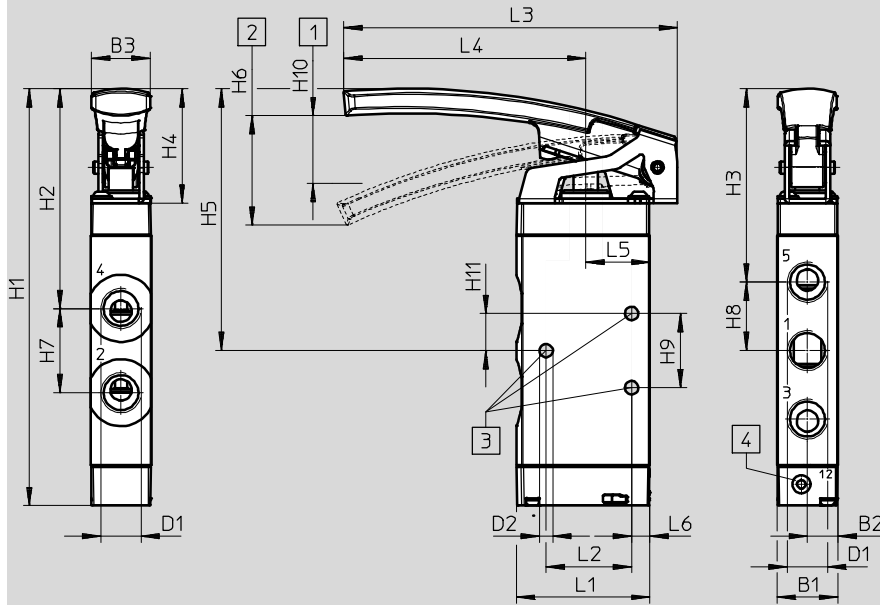
Manually operated valves VHEF

Technical data – Finger lever valve

Dimensions

Download CAD data → www.festo.com

5/2-way valve



- 1 Start of opening
- 2 Maximum stroke
- 3 Mounting holes for screws M4
- 4 Port 12: pneumatic spring, M5 (for VHEF-L-M52-E-...)

Type	B1	B2	B3	D1	D2 ∅	L1	L2	L3	L4	L5	L6
VHEF-L-M52-M-G18	20	10	19.1	G1/8	4.4	43.7	28	109.3	79.3	21	6
VHEF-L-M52-M-N18				1/8 NPT							
VHEF-L-M52-E-G18				G1/8							
VHEF-L-M52-E-N18				1/8 NPT							
VHEF-L-M52-M-G14				G1/4							
VHEF-L-M52-M-N14				1/4 NPT							
VHEF-L-M52-E-G14				G1/4							
VHEF-L-M52-E-N14				1/4 NPT							

Type	H1	H2	H3	H4	H5	H6	H7	H8	H9	H10	H11
VHEF-L-M52-M-G18	120	67.7	60.5	37.5	77.5	35.8	19.6	17	18	13.2	9
VHEF-L-M52-M-N18											
VHEF-L-M52-E-G18											
VHEF-L-M52-E-N18											
VHEF-L-M52-M-G14	136.6	72	63.3		85.8		27.6	22.5	24.3	22.2	12.2
VHEF-L-M52-M-N14											
VHEF-L-M52-E-G14											
VHEF-L-M52-E-N14											




Manually operated valves VHEF

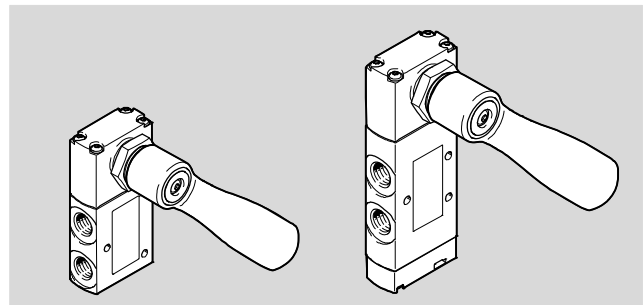
Technical data – Finger lever valve

Ordering data					
Description	Reset	Nominal flow rate [l/min]	Weight [g]	Part No.	Type
G thread					
3/2-way valve	Mechanical	750	156	4500009	VHEF-LT-M32-M-G18
		870	150	4500008	VHEF-LT-M32-M-G14
5/2-way valve	Mechanical	750	185	4500001	VHEF-L-M52-M-G18
	Pneumatic		184	4500005	VHEF-L-M52-E-G18
	Mechanical	1200	218	4500000	VHEF-L-M52-M-G14
	Pneumatic		217	4500004	VHEF-L-M52-E-G14
NPT thread					
3/2-way valve	Mechanical	750	156	4500011	VHEF-LT-M32-M-N18
		870	150	4500010	VHEF-LT-M32-M-N14
5/2-way valve	Mechanical	750	185	4500003	VHEF-L-M52-M-N18
	Pneumatic	750	184	4500007	VHEF-L-M52-E-N18
	Mechanical	1200	218	4500002	VHEF-L-M52-M-N14
	Pneumatic	1200	217	4500006	VHEF-L-M52-E-N14

Manually operated valves VHEF

Technical data – Hand lever valve

-  Flow rate
650 ... 1200 l/min
-  Pressure
-0.95 ... 10 bar
-  Temperature range
-10 ... +60 °C



General technical data	
Design	Hand lever, at the side
Width [mm]	20
Type of control	Directly actuated
Notes regarding use	Actuate manually only
Actuation type	Manual
Type of mounting	Via through-hole or front panel using retaining nut
Sealing principle	Soft
Flow direction	Reversible
Exhaust air function	With flow control option
Mounting position	Any
Max. force when actuating the hand lever ¹⁾ [N]	200
Max. lateral force when actuating the hand lever ¹⁾ [N]	200
Max. switching frequency [Hz]	0.5

1) Determined at a distance of 80 mm from the centre of the hand lever fitting

Technical data – 3/2-way valve				
Type	VHEF-HST-B32...18	VHEF-HST-B32...14	VHEF-HST-M32...18	VHEF-HST-M32...14
Version	Disc seat valve			
Standard nominal flow rate [l/min] 1 → 2	750	870	750	870
Valve function	3/2-way valve, bistable		3/2-way valve, open/closed, monostable	
Overlap	Zero overlap		Zero overlap	
Type of reset	–		Mechanical spring	
Manual override	Detenting		–	
Actuating torque at 6 bar [Nm]	0.7		0.6	
Pneumatic connection G thread 1, 2, 3	G1/8	G1/4	G1/8	G1/4
Pneumatic connection NPT thread 1, 2, 3	1/8 NPT	1/4 NPT	1/8 NPT	1/4 NPT
Nominal width [mm]	5.6	6	5.6	6

Manually operated valves VHEF

Technical data – Hand lever valve

Technical data – 5/2-way valve				
Type	VHEF-HS-M52-M-...18	VHEF-HS-M52-M-...14	VHEF-HS-B52-...18	VHEF-HS-B52-...14
Version	Piston spool			
Standard nominal flow rate [l/min] 1 → 2	750	1200	750	1200
Valve function	5/2-way valve, monostable		5/2-way valve, bistable	
Overlap	Overlap		Overlap	
Type of reset	Mechanical spring		–	
Manual override	–	–	Detenting	Detenting
Actuating torque at 6 bar [Nm]	0.6			
Pneumatic connection G thread 1, 2, 3, 4, 5	G1/8	G1/4	G1/8	G1/4
Pneumatic connection NPT thread 1, 2, 3, 4, 5	1/8 NPT	1/4 NPT	1/8 NPT	1/4 NPT
Nominal width [mm]	5.2	7	5.2	7

Technical data – 5/3-way valve								
Type VHEF-HS-	B53C-...18	B53C-...14	B53E-...18	B53E-...14	P53C-...18	P53C-...14	P53E-...18	P53E-...14
Version	Piston spool							
Standard nominal flow rate [l/min] 1 → 2	750	1200	530	900	700	1200	530	900
Valve function	5/3-way valve, closed		5/2-way valve, exhausted		5/3-way valve, closed		5/3-way valve, exhausted	
Overlap	Overlap		Overlap		Overlap		Overlap	
Type of reset	–		–		Mechanical spring		Mechanical spring	
Manual override	Detenting		Detenting		–		–	
Actuating torque at 6 bar [Nm]	0.7							
Pneumatic connection G thread 1, 2, 3, 4, 5	G1/8	G1/4	G1/8	G1/4	G1/4	G1/4	G1/4	G1/4
Pneumatic connection NPT thread 1, 2, 3, 4, 5	1/8 NPT	1/4 NPT	1/8 NPT	1/4 NPT	1/4 NPT	1/4 NPT	1/4 NPT	1/4 NPT
Nominal width [mm]	5.2	7	5.2	7	5.2	7	5.2	7

Materials	
Housing	Anodised wrought aluminium alloy
Lever	Reinforced PA
Cover	Reinforced PA
Seal	NBR
Note on materials	RoHS-compliant

Operating and environmental conditions	
Operating medium	Compressed air to ISO 8573-1:2010 [7:-:-]
Note on operating/ pilot medium	Lubricated operation possible (in which case lubricated operation will always be required)
Operating pressure range [bar]	–0.95 ... 10
[psi]	–14 ... 145
Temperature of medium [°C]	–10 ... +60
Ambient temperature [°C]	–10 ... +60
Corrosion resistance class CRC ¹⁾	1

1) Corrosion resistance class CRC 1 to Festo standard FN 940070

Low corrosion stress. For dry indoor applications or transport and storage protection. Also applies to parts behind covers, in the non-visible interior area, and parts which are covered in the application (e.g. drive trunnions).

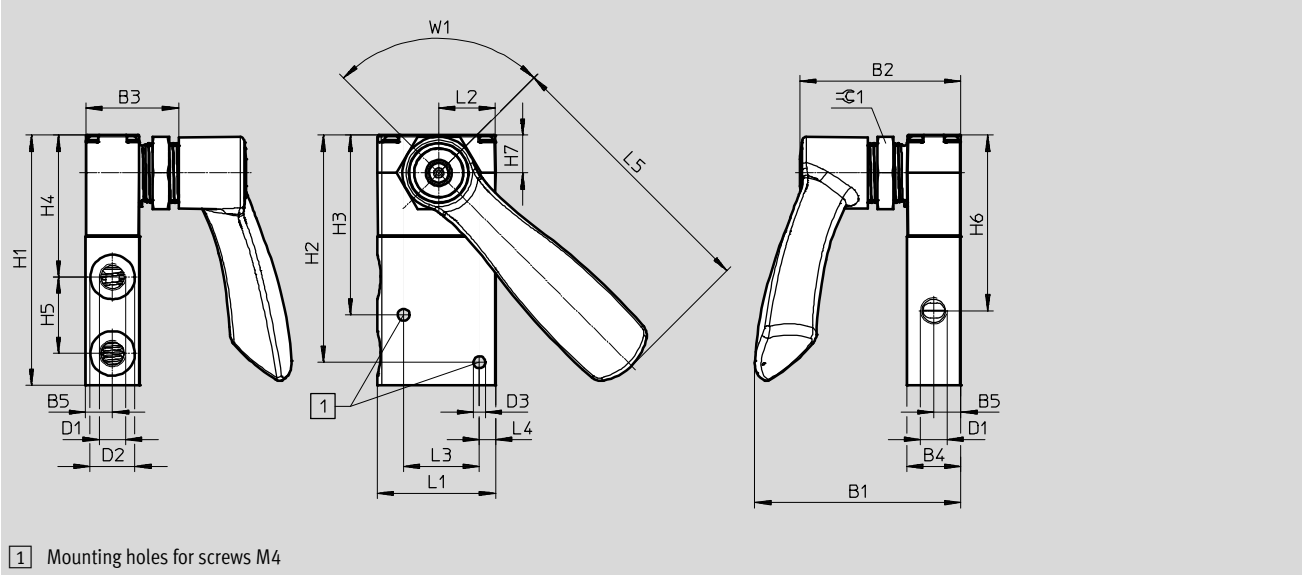
Manually operated valves VHEF

Technical data – Hand lever valve

Dimensions

Download CAD data → www.festo.com

3/2-way valve



Type	B1	B2	B3	B4	B5	D1	D2 Ø	D3 Ø	H1	H2	H3
VHEF-HST...32...-G18	76.2	59.5	34.5	20	10	G1/8	16.5	4.4	92.5	84	66.5
VHEF-HST...32...-N18						1/8 NPT					
VHEF-HST...32...-G14						G1/4	22				
VHEF-HST...32...-N14						1/4 NPT					

Type	H4	H5	H6	H7	L1	L2	L3	L4	L5	W1	⊕ 1
VHEF-HST...32...-G18	52.5	28.3	65	14	43.7	20.9	28	6	100.8	90°	A/F 27
VHEF-HST...32...-N18											
VHEF-HST...32...-G14											
VHEF-HST...32...-N14											

Manually operated valves VHEF

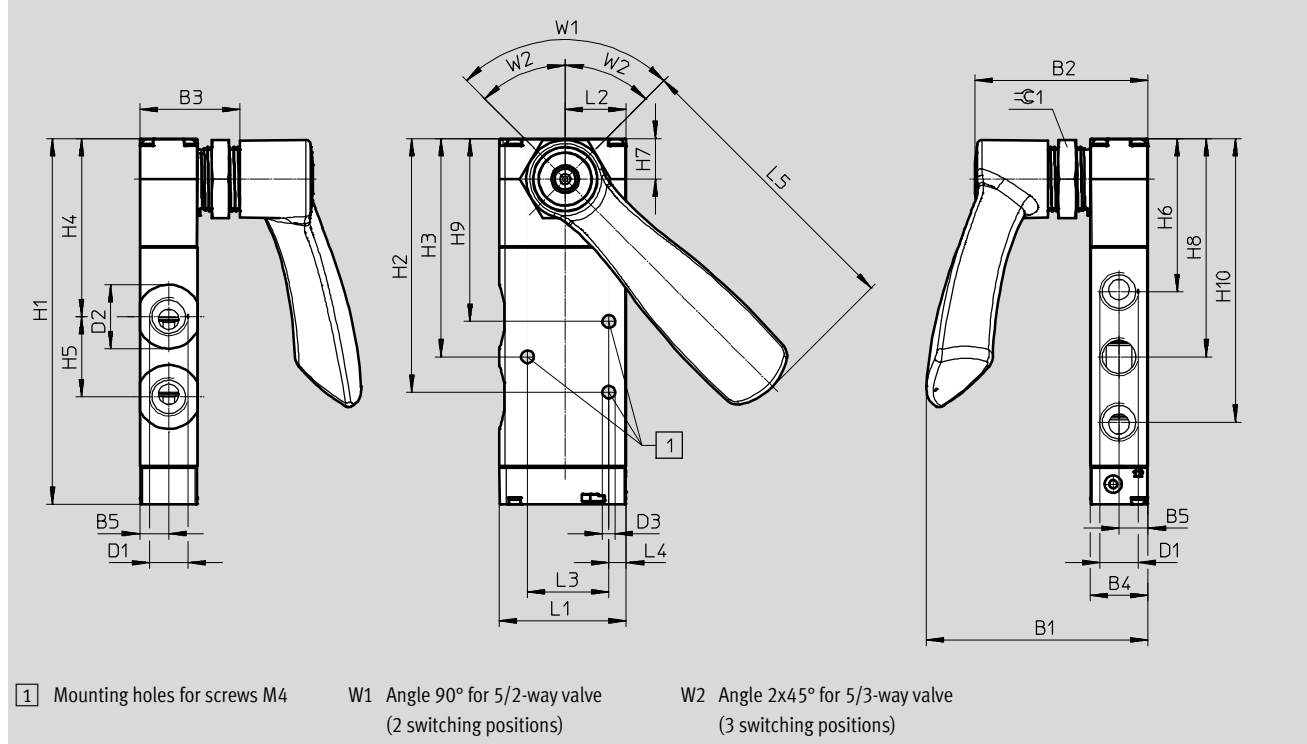
Technical data – Hand lever valve



Dimensions

Download CAD data → www.festo.com

5/2-way and 5/3-way valve



Type	B1	B2	B3	B4	B5	D1	D2 Ø	D3 Ø	H1	H2	H3	H4			
VHEF-HS...52...-G18	76.2	59.5	34.5	20	10	G1/8	16.5	4.4	109.4	75.9	66.9	57.1			
VHEF-HS...52...-N18						1/8 NPT									
VHEF-HS...53...-G18						G1/8									
VHEF-HS...53...-N18						1/8 NPT	22	125.9					87.3	75.1	61.3
VHEF-HS...52...-G14						G1/4									
VHEF-HS...52...-N14						1/4 NPT									
VHEF-HS...53...-G14						G1/4									
VHEF-HS...53...-N14						1/4 NPT									

Type	H5	H6	H7	H8	H9	H10	L1	L2	L3	L4	W1	W2	∠ 1
VHEF-HS...52...-G18	19.6	49.9	14	66.9	57.9	83.9	43.7	20.9	28	6	90°	-	27 mm
VHEF-HS...52...-N18				-	45°								
VHEF-HS...53...-G18				-	45°								
VHEF-HS...53...-N18				-	45°								
VHEF-HS...52...-G14	26.7	52.7	14	75.1	63	97.6	43.7	20.9	28	6	90°	-	27 mm
VHEF-HS...52...-N14				-	45°								
VHEF-HS...53...-G14				-	45°								
VHEF-HS...53...-N14				-	45°								

Manually operated valves VHEF




Technical data – Hand lever valve

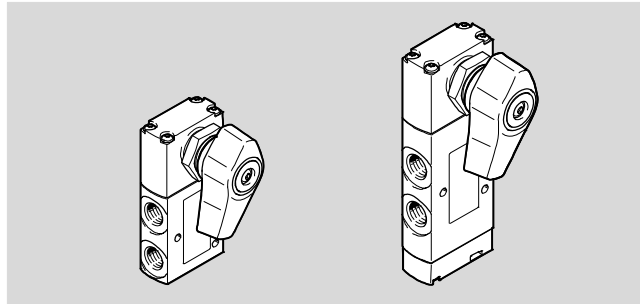
Ordering data					
Description	Reset	Nominal flow rate [l/min]	Weight [g]	Part No.	Type
G thread					
3/2-way valve	–	750	236	4165861	VHEF-HST-B32-G18
		870	230	4165862	VHEF-HST-B32-G14
	Mechanical spring	750	236	4165853	VHEF-HST-M32-M-G18
		870	230	4165854	VHEF-HST-M32-M-G14
5/2-way valve	Mechanical spring	750	265	4165855	VHEF-HS-M52-M-G18
		1200	298	4165856	VHEF-HS-M52-M-G14
	–	750	265	4165863	VHEF-HS-B52-G18
		1200	298	4165864	VHEF-HS-B52-G14
5/3-way valve	–	700	265	4165865	VHEF-HS-B53C-G18
		1200	298	4165866	VHEF-HS-B53C-G14
		650	265	4165867	VHEF-HS-B53E-G18
		900	298	4165868	VHEF-HS-B53E-G14
	Mechanical spring	700	265	4165857	VHEF-HS-P53C-M-G18
		1200	298	4165858	VHEF-HS-P53C-M-G14
		650	265	4165859	VHEF-HS-P53E-M-G18
		900	298	4165860	VHEF-HS-P53E-M-G14
NPT thread					
3/2-way valve	–	750	236	4414861	VHEF-HST-B32-N18
		870	230	4414862	VHEF-HST-B32-N14
	Mechanical spring	750	236	4414853	VHEF-HST-M32-M-N18
		870	230	4414854	VHEF-HST-M32-M-N14
5/2-way valve	Mechanical spring	750	265	4414855	VHEF-HS-M52-M-N18
		1200	298	4414856	VHEF-HS-M52-M-N14
	–	750	265	4414863	VHEF-HS-B52-N18
		1200	298	4414864	VHEF-HS-B52-N14
5/3-way valve	–	700	265	4414865	VHEF-HS-B53C-N18
		1200	298	4414866	VHEF-HS-B53C-N14
		650	265	4414867	VHEF-HS-B53E-N18
		900	298	4414868	VHEF-HS-B53E-N14
	Mechanical spring	700	265	4414857	VHEF-HS-P53C-M-N18
		1200	298	4414858	VHEF-HS-P53C-M-N14
		650	265	4414859	VHEF-HS-P53E-M-N18
		900	298	4414860	VHEF-HS-P53E-M-N14

Manually operated valves VHEF

Technical data – Selector valve

FESTO

-  Flow rate
650 ... 1200 l/min
-  Pressure
-0.95 ... 10 bar
-  Temperature range
-10 ... +60 °C



General Technical data	
Design	Selector switch, at the side
Width [mm]	20
Type of control	Directly actuated
Notes regarding use	Actuate manually only
Actuation type	Manual
Type of mounting	Via through-hole or front panel using retaining nut
Sealing principle	Soft
Flow direction	Reversible
Exhaust air function	With flow control option
Mounting position	Any
Max. force when actuating the hand lever ¹⁾ [N]	200
Max. lateral force when actuating the hand lever ¹⁾ [N]	200
Max. switching frequency [Hz]	0.5

1) Determined at a distance of 80 mm from the centre of the hand lever fitting

Technical data – 3/2-way valve				
Type	VHEF-EST-B32...18	VHEF-EST-B32...14	VHEF-EST-M32...18	VHEF-EST-M32...14
Version	Disc seat valve			
Standard nominal flow rate [l/min] 1 → 2	750	870	750	870
Valve function	3/2-way valve, bistable		3/2-way valve, open/closed, monostable	
Overlap	Zero overlap		Zero overlap	
Type of reset	–		Mechanical spring	
Manual override	Detenting		–	
Actuating torque at 6 bar [Nm]	0.4			
Pneumatic connection G thread 1, 2, 3	G1/8	G1/4	G1/8	G1/4
Pneumatic connection NPT thread 1, 2, 3	1/8 NPT	1/4 NPT	1/8 NPT	1/4 NPT
Nominal width [mm]	5.6	6	5.6	6

Manually operated valves VHEF

Technical data – Selector valve

Technical data – 5/2-way valve				
Type	VHEF-ES-M52-M-...18	VHEF-ES-M52-M-...14	VHEF-ES-B52-...18	VHEF-ES-B52-...14
Version	Piston spool			
Standard nominal flow rate [l/min] 1 → 2	750	1200	750	1200
Valve function	5/2-way valve, monostable		5/2-way valve, bistable	
Overlap	Overlap		Overlap	
Type of reset	Mechanical spring		–	
Manual override	–	–	Detenting	Detenting
Actuating torque at 6 bar [Nm]	0.3		0.2	
Pneumatic connection G thread 1, 2, 3, 4, 5	G1/8	G1/4	G1/8	G1/4
Pneumatic connection NPT thread 1, 2, 3, 4, 5	1/8 NPT	1/4 NPT	1/8 NPT	1/4 NPT
Nominal width [mm]	5.2	7	5.2	7

Technical data – 5/3-way valve								
Type VHEF-ES-	B53C-...18	B53C-...14	B53E-...18	B53E-...14	P53C-...18	P53C-...14	P53E-...18	P53E-...14
Version	Piston spool							
Standard nominal flow rate [l/min] 1 → 2	750	1200	650	900	700	1200	650	900
Valve function	5/3-way valve, closed		5/2-way valve, exhausted		5/3-way valve, closed		5/3-way valve, exhausted	
Overlap	Overlap		Overlap		Overlap		Overlap	
Type of reset	–		–		Mechanical spring		Mechanical spring	
Manual override	Detenting		Detenting		–		–	
Actuating torque at 6 bar [Nm]	0.3				0.7			
Pneumatic connection G thread 1, 2, 3, 4, 5	G1/8	G1/4	G1/8	G1/4	G1/4	G1/4	G1/4	G1/4
Pneumatic connection NPT thread 1, 2, 3, 4, 5	1/8 NPT	1/4 NPT	1/8 NPT	1/4 NPT	1/4 NPT	1/4 NPT	1/4 NPT	1/4 NPT
Nominal width [mm]	5.2	7	5.2	7	5.2	7	5.2	7

Materials	
Housing	Anodised wrought aluminium alloy
Lever	Reinforced PA
Cover	Reinforced PA
Seal	NBR
Note on materials	RoHS-compliant

Operating and environmental conditions	
Operating medium	Compressed air to ISO 8573-1:2010 [7:-:-]
Note on operating/ pilot medium	Lubricated operation possible (in which case lubricated operation will always be required)
Operating pressure range [bar]	–0.95 ... 10
[psi]	–14 ... 145
Temperature of medium [°C]	–10 ... +60
Ambient temperature [°C]	–10 ... +60
Corrosion resistance class CRC ¹⁾	1

1) Corrosion resistance class CRC 1 to Festo standard FN 940070

Low corrosion stress. For dry indoor applications or transport and storage protection. Also applies to parts behind covers, in the non-visible interior area, and parts which are covered in the application (e.g. drive trunnions).

Manually operated valves VHEF

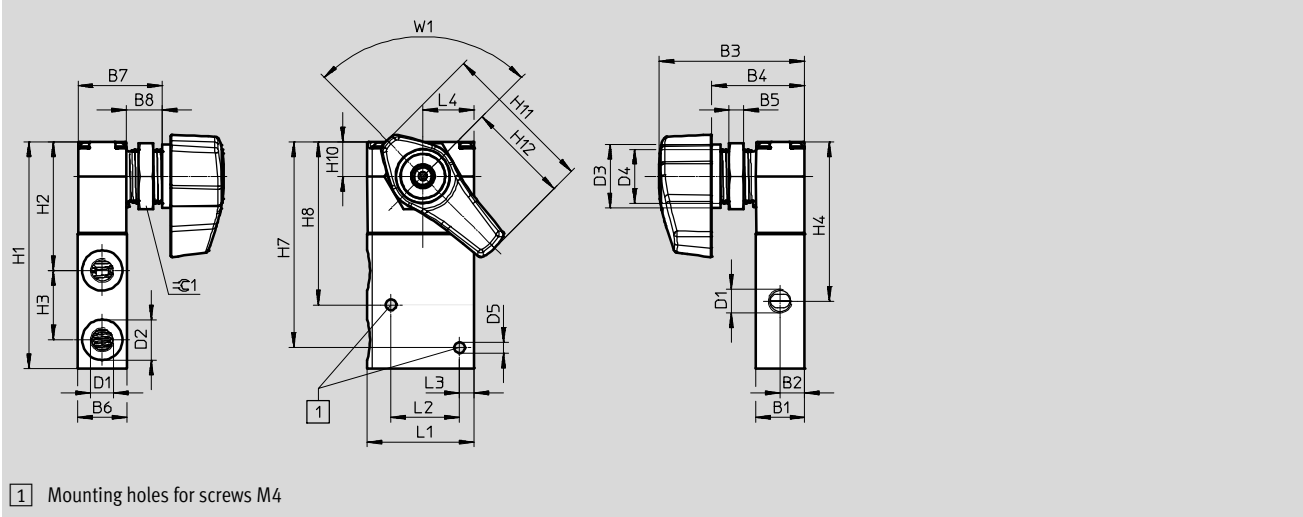
Technical data – Selector valve



Dimensions

Download CAD data → www.festo.com

3/2-way valve



Type	B1	B2	B3	B4	B5	B6	B7	B8	D1	D2 Ø	D3 Ø	D4	D5 Ø	H1
VHEF-EST...32...G18	20	10	59.4	38	6	10	34.5	14.6	G1/8	16.5	26	M22x1.5	4.4	92.5
VHEF-EST...32...N18									1/8 NPT					
VHEF-EST...32...G14									G1/4	22				
VHEF-EST...32...N14									1/4 NPT					

Type	H2	H3	H4	H7	H8	H10	H11	H12	L1	L2	L3	L4	W1	≙ 1
VHEF-EST...32...G18	52.5	28.3	65	84	66.5	14	62.2	41.5	43.7	28	6	20.9	90°	A/F 27
VHEF-EST...32...N18														
VHEF-EST...32...G14														
VHEF-EST...32...N14														

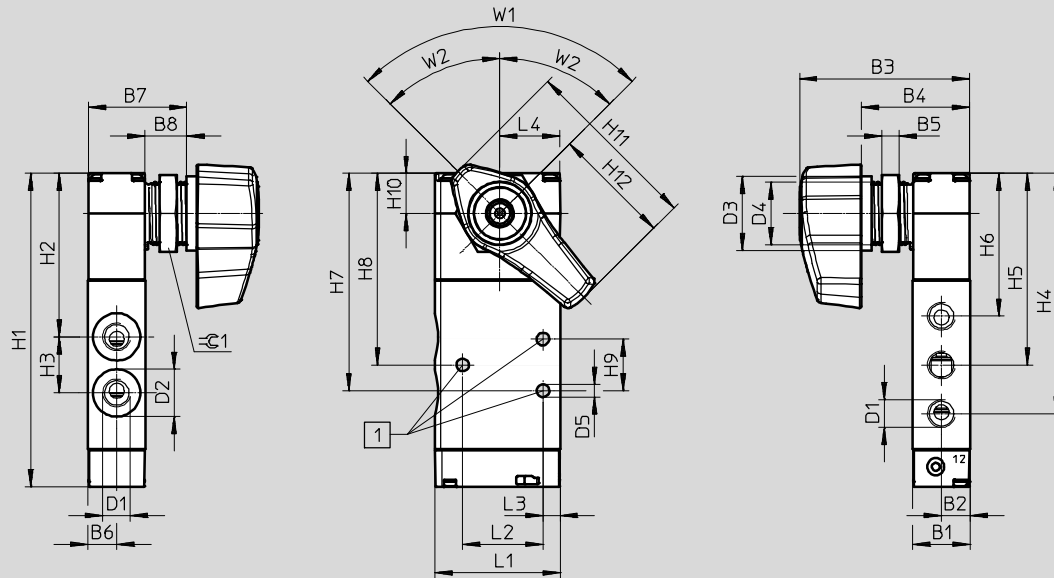
Manually operated valves VHEF

Technical data – Selector valve

Dimensions

Download CAD data → www.festo.com

5/2-way and 5/3-way valve



1 Mounting holes for screws M4

W1 Angle 90° for 5/2-way valve
(2 switching positions)

W2 Angle 2x45° for 5/3-way valve
(3 switching positions)

Type	B1	B2	B3	B4	B5	B6	B7	B8	D1	D2	D3	D4	D5	H1	H2	H3
VHEF-ES...52...-G18	20	10	59.4	38	6	10	34.5	14.6	G1/8	16.5	26	M22x1.5	4.4	109.4	57.1	19.6
VHEF-ES...52...-N18									1/8 NPT							
VHEF-ES...53...-G18									G1/8							
VHEF-ES...53...-N18									1/8 NPT							
VHEF-ES...52...-G14									G1/4	22		125.9	61.3	27.6		
VHEF-ES...52...-N14									1/4 NPT							
VHEF-ES...53...-G14									G1/4							
VHEF-ES...53...-N14									1/4 NPT							

Type	H4	H5	H6	H7	H8	H9	H10	H11	H12	L1	L2	L3	L4	W1	W2	±C 1
VHEF-ES...52...-G18	83.9	66.9	49.9	75.9	66.9	18	14	62.2	41.5	43.7	28	6	20.9	90°	-	27 mm
VHEF-ES...52...-N18														-	45°	
VHEF-ES...53...-G18														-	45°	
VHEF-ES...53...-N18														-	45°	
VHEF-ES...52...-G14	97.6	75.1	52.7	87.3	75.1	24.3								90°	-	
VHEF-ES...52...-N14														-	45°	
VHEF-ES...53...-G14														-	45°	
VHEF-ES...53...-N14														-	45°	

Manually operated valves VHEF




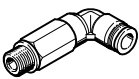
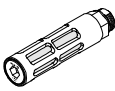
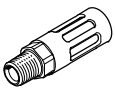
Technical data – Selector valve

Ordering data					
Description	Reset	Nominal flow rate [l/min]	Weight [g]	Part No.	Type
G thread					
3/2-way valve	–	750	206	4106814	VHEF-EST-B32-G18
		870	200	4106815	VHEF-EST-B32-G14
	Mechanical spring	750	206	4106806	VHEF-EST-M32-M-G18
		870	200	4106807	VHEF-EST-M32-M-G14
5/2-way valve	Mechanical spring	750	235	4106808	VHEF-ES-M52-M-G18
		1200	268	4106809	VHEF-ES-M52-M-G14
	–	750	235	4106816	VHEF-ES-B52-G18
		1200	268	4106817	VHEF-ES-B52-G14
5/3-way valve	–	700	235	4106818	VHEF-ES-B53C-G18
		1200	268	4106819	VHEF-ES-B53C-G14
		650	235	4106820	VHEF-ES-B53E-G18
		900	268	4106821	VHEF-ES-B53E-G14
	Mechanical spring	700	235	4106810	VHEF-ES-P53C-M-G18
		1200	268	4106811	VHEF-ES-P53C-M-G14
		650	235	4106812	VHEF-ES-P53E-M-G18
		900	268	4106813	VHEF-ES-P53E-M-G14
NPT thread					
3/2-way valve	–	750	206	4414814	VHEF-EST-B32-N18
		870	200	4414815	VHEF-EST-B32-N14
	Mechanical spring	750	206	4414806	VHEF-EST-M32-M-N18
		870	200	4414807	VHEF-EST-M32-M-N14
5/2-way valve	Mechanical spring	750	235	4414808	VHEF-ES-M52-M-N18
		1200	268	4414809	VHEF-ES-M52-M-N14
	–	750	235	4414816	VHEF-ES-B52-N18
		1200	268	4414817	VHEF-ES-B52-N14
5/3-way valve	–	700	235	4414818	VHEF-ES-B53C-N18
		1200	268	4414819	VHEF-ES-B53C-N14
		650	235	4414820	VHEF-ES-B53E-N18
		900	268	4414821	VHEF-ES-B53E-N14
	Mechanical spring	700	235	4414810	VHEF-ES-P53C-M-N18
		1200	268	4414811	VHEF-ES-P53C-M-N14
		650	235	4414812	VHEF-ES-P53E-M-N18
		900	268	4414813	VHEF-ES-P53E-M-N14

Manually operated valves VHEF

Accessories

FESTO


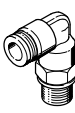
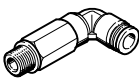
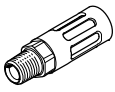
Ordering data – G thread						
	Description		Part No.	Type	PU ¹⁾	
Push-in fitting, straight						
	With external hex	Connecting thread G1/4 for tubing O.D.	12 mm	186350	QS-G1/4-12	10
	With internal hex	Connecting thread M5 for tubing O.D.	4 mm	153315	QSM-M5-4-I	10
		Connecting thread G1/8 for tubing O.D.	4 mm	186106	QS-G1/8-4-I	10
				133008	QS-G1/8-4-I-100	100
			6 mm	186107	QS-G1/8-6-I	10
				133009	QS-G1/8-6-I-100	100
			8 mm	186109	QS-G1/8-8-I	10
	133010	QS-G1/8-8-I-100		100		
Connecting thread G1/4 for tubing O.D.	8 mm	186110	QS-G1/4-8-I	10		
		10 mm	186112	QS-G1/4-10-I	10	
Push-in fitting, angled						
	With external hex	Connecting thread G1/8 for tubing O.D.	4 mm	186116	QSL-G1/8-4	10
				132048	QSL-G1/8-4-100	100
			6 mm	186117	QSL-G1/8-6	10
				132049	QSL-G1/8-6-100	100
			8 mm	186119	QSL-G1/8-8	10
		132050		QSL-G1/8-8-50	50	
		Connecting thread G1/4 for tubing O.D.	8 mm	186120	QSL-G1/4-8	10
				132052	QSL-G1/4-8-50	50
			10 mm	186122	QSL-G1/4-10	10
				132053	QSL-G1/4-10-50	50
12 mm	186351		QSL-G1/4-12	10		
	132054	QSL-G1/4-12-20	20			
Push-in fitting, angled, long						
	With external hex	Connecting thread G1/8 for tubing O.D.	4 mm	186127	QSLL-G1/8-4	10
				133015	QSLL-G1/8-4-100	100
			6 mm	186128	QSLL-G1/8-6	10
				133016	QSLL-G1/8-6-100	100
			8 mm	186130	QSLL-G1/8-8	10
				133017	QSLL-G1/8-8-100	100
Silencer						
	Polymer design	With connecting thread	G1/8	2307	U-1/8	1
				534222	U-1/8-50	50
			G1/4	2316	U-1/4	1
				534223	U-1/4-20	20
	Metal design	With connecting thread	G1/8	6841	U-1/8-B	1
			G1/4	6842	U-1/4-B	1

1) Packaging unit quantity

Manually operated valves VHEF

Accessories

FESTO

Ordering data – NPT thread						
	Description		Part No.	Type	PU ¹⁾	
Push-in fitting, straight						
	With internal hex	Connecting thread 10-32 UNF for tubing O.D.	5/32"	572312	QBM-10-32-UNF-5/32-I-U	10
		Connecting thread 1/8 NPT for tubing O.D.	5/32"	572317	QB-1/8-5/32-I-U	10
	1/4"		572318	QB-1/8-1/4-I-U	10	
	5/16"		572319	QB-1/8-5/16-I-U	10	
	Connecting thread 1/4 NPT for tubing O.D.	5/16"	572321	QB-1/4-5/16-I-U	10	
		3/8"	572322	QB-1/4-3/8-I-U	10	
		1/2"	567771	QB-1/4-1/2-U	10	
Push-in fitting, angled						
	With external hex	Connecting thread 1/8 NPT for tubing O.D.	5/32"	533290	QBL-1/8-5/32-U	10
			1/4"	533292	QBL-1/8-1/4-U	10
			5/16"	533293	QBL-1/8-5/16-U	10
	Connecting thread 1/4 NPT for tubing O.D.	5/16"	533296	QBL-1/4-5/16-U	10	
		3/8"	533297	QBL-1/4-3/8-U	5	
		1/2"	567775	QBL-1/4-1/2-U	5	
Push-in fitting, angled, long						
	With external hex	Connecting thread 1/8 NPT for tubing O.D.	5/32"	564668	QBLL-1/8-5/32-U	10
			1/4"	564670	QBLL-1/8-1/4-U	10
			5/16"	564671	QBLL-1/8-5/16-U	10
Silencer						
	Metal design	With connecting thread	1/8 NPT	12638	U-1/8-B-NPT	1
			1/4 NPT	12639	U-1/4-B-NPT	1

1) Packaging unit

Festo - Your Partner in Automation



1 Festo Inc.
5300 Explorer Drive
Mississauga, ON L4W 5G4
Canada

Festo Customer Interaction Center
Tel: 1 877 463 3786
Fax: 1 877 393 3786
Email: customer.service.ca@festo.com



2 Festo Pneumatic
Av. Ceylán 3,
Col. Tequesquináhuac
54020 Tlalneantla,
Estado de México

Multinational Contact Center
01 800 337 8669
ventas.mexico@festo.com



3 Festo Corporation
1377 Motor Parkway
Suite 310
Islandia, NY 11749

Festo Customer Interaction Center
1 800 993 3786
1 800 963 3786
customer.service.us@festo.com



4 Regional Service Center
7777 Columbia Road
Mason, OH 45040

Connect with us



www.festo.com/socialmedia



www.festo.com

Subject to change